



Manual for connection and operation of

# GIA 2000 / GIR 2002

as of version 2.3



**GREISINGER** electronic GmbH

# **INDEX**

<b>1. SAFETY REGULATIONS .....</b>	<b>3</b>
<b>2. INTRODUCTION .....</b>	<b>4</b>
<b>3. ELECTRIC CONNECTION .....</b>	<b>5</b>
3.1. Terminal assignment.....	5
3.2. Terminal assignment for options AAG020/3 and AAG010/3 .....	5
3.3. Connection data .....	6
3.4. Connecting an input signal.....	7
3.4.1. Connecting a Pt100 RTD probe.....	7
3.4.2. Connecting a Pt1000 RTD probe or a thermocouple probe .....	7
3.4.3. Connecting a 0(4)-20mA transmitter (2-wire- system).....	7
3.4.4. Connecting a 0(4)-20mA transmitter (3-wire- system).....	7
3.4.5. Connecting a 0-1V, 0-2V or 0-10V transmitter (3-wire-system).....	8
3.4.6. Connecting a 0-1V, 0-2V or 0-10V or 0-50mV transmitter (4-wire-system) .....	8
3.4.7. Connecting a frequency signal.....	8
3.4.8. Connecting a counter signal.....	9
3.5. Connecting switching outputs (only for GIR 2002).....	10
3.6. Common wiring of several devices.....	10
<b>4. CONFIGURATION OF THE MEASURING INPUT.....</b>	<b>10</b>
4.1. Selecting an input signal type .....	11
4.2. Measuring temperature (Pt100, Pt1000 RTD probes and thermocouple type J, K, N, S or T) .....	12
4.3. Measuring voltage and current (0-50mV, 0-1V, 0-2V, 0-10V, 0-20mA, 4-20mA).....	13
4.4. Measuring of frequency (TTL, switching-contact).....	14
4.5. Measuring of flow rate (TTL, switching-contact).....	16
4.6. Measuring of rotation speed (TTL, switching-contact) .....	17
4.7. Up-/Downwards counter (TTL, switching-contact).....	18
4.8. Interface mode .....	20
<b>5. CONFIGURATION OF THE ANALOG OUTPUT (ONLY AT DEVICES WITH OPTION AAG).....</b>	<b>21</b>
5.1. Scaling the analog output.....	21
<b>6. CONFIGURATION OF THE OUTPUT FUNCTIONS (ONLY FOR GIR 2002).....</b>	<b>23</b>
6.1. Selection of the output function.....	23
6.2. 2-point-controller, 3-point-controller.....	24
6.3. 2-point-controller with alarm function.....	24
6.4. Min-/Max-Alarm (individual or common).....	25
<b>7. SWITCHING POINTS AND ALARM-BOUNDARIES (ONLY FOR GIR 2002).....</b>	<b>26</b>
7.1. Menu calling .....	26
7.2. 2-point-controller, 3-point-controller.....	27
7.3. 2-point-controller with alarm function.....	27
7.4. Minimum/maximum-alarm (individual or common).....	28
<b>8. OFFSET- AND SLOPE-ADJUSTMENT .....</b>	<b>29</b>
8.1. Menu calling and adjustment .....	29
<b>9. MIN-/MAX-VALUE MEMORY: .....</b>	<b>30</b>
<b>10. SERIAL INTERFACE .....</b>	<b>30</b>
<b>11. ALARM DISPLAY (ONLY GIR 2002) .....</b>	<b>31</b>
<b>12. ERROR CODES .....</b>	<b>31</b>
<b>13. SPECIFICATION.....</b>	<b>33</b>
<b>14. DISPOSAL NOTES.....</b>	<b>35</b>
<b>15. SPECIAL FUNCTIONS (OPTIONALLY): .....</b>	<b>35</b>
15.1. Tare function.....	35

## 1. Safety regulations

This device was designed and tested considering the safety regulations for electronic measuring devices.

Faultless operation and reliability in operation of the measuring device can only be assured if the General Safety Measures and the devices specific safety regulations mentioned in this users manual are considered.

1. Faultless operation and reliability in operation of the measuring device can only be assured if the device is used within the climatic conditions specified in the chapter "Specifications"
2. Always disconnect the device from its supply before opening it. Take care that nobody can touch any of the unit's contacts after installing the device.
3. Standard regulations for operation and safety for electrical, light and heavy current equipment have to be observed, with particular attention paid to the national safety regulations (e.g. VDE 0100).
4. When connecting the device to other devices (e.g. the PC) the interconnection has to be designed most thoroughly, as internal connections in third-party devices (e.g. connection of ground with protective earth) may lead to undesired voltage potentials.
5. The device must be switched off and must be marked against using again, in case of obvious malfunctions of the device which are e.g.:
  - visible damage.
  - no prescribed working of the device.
  - storing the device under inappropriate conditions for longer time.

When not sure, the device should be sent to the manufacturer for repairing or servicing.



**ATTENTION:** When running electric devices, parts of them will always be electrically live. Unless the warnings are observed serious personal injuries or damage to property may result. Skilled personnel only should be allowed to work with this device. For trouble-free and safe operation of the device please ensure professional transport, storage, installation and connection as well as proper operation and maintenance.

### **SKILLED PERSONNEL**

Are persons familiar with installation, connection, commissioning and operation of the product and have professional qualification relating to their job.

For example:

- Training and instruction or qualifications to switch on or off, isolate, ground and mark electric circuits and devices or systems.
- Training or instruction according to the state.
- First-aid training.



### **ATTENTION:**

**Do NOT use this product as safety or emergency stopping device, or in any other application where failure of the product could result in personal injury or material damage.**

**Failure to comply with these instructions could result in death or serious injury and material damage.**

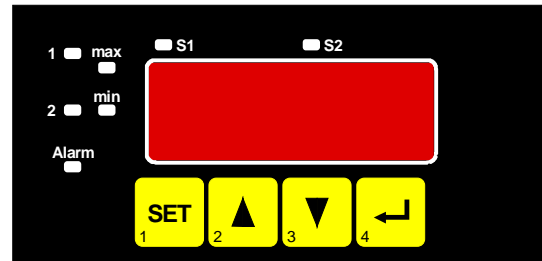
## 2. Introduction

The GIA 2000 is a microprocessor controlled displaying device.  
The GIR 2002 is a microprocessor controlled displaying, monitoring and controlling device.

The devices supports one universal interface for the connection of:

- Standard transmitter signals (0-20mA, 4-20mA, 0-50mV, 0-1V, 0-2V and 0-10V),
- RTD (for Pt100 and Pt1000),
- Thermocouple probes (type K, J, N, T and S),
- Frequency (TTL and switching contact).

As well as flow rate and rotation measuring, counting, etc. ...



The GIR 2002 features additionally one or two switching outputs, which can be configured as 2-point-controller or min./max. alarm (one switching output) or 2-point-controller, 3-point-controller, 2-point-controller with min./max. alarm, common or individual min./max. alarm (two switching outputs)

The state of the switching outputs (relays) is displayed with the LED's "1" and "2".

An upcoming alarm condition is displayed by LEDs "alarm", "max" and "min".

The devices with option AAG are additionally equipped with a scaleable analog output (0-10V, 0-20mA or 4-20mA).

Furthermore both devices supports one **EASYbus**-interface for communicating with a host computer that makes the device to a full functions **EASYbus**-module.

When leaving our factory the GIA 2000 and GIR 2002 has been subjected to various inspection tests and is completely calibrated.

**Before the GIA 2000 or GIR 2002 can be used, it has to be configured for the customer's application.**

**Important:** At the configuration of the device You have to adjust the input signal (see chapter 4) first and then the analog output function (if available - see chapter 5), the output function (see chapter 6) or the offset-/slope- adjustment (see chapter 8).

**Hint:** *In order to avoid undefined input states and unwanted or wrong switching processes, we suggest to connect the device's switching outputs after You have configured the device properly.*

**Hint:** *By calling a configuration menu (configuration of the measuring input, configuration of the analog output, configuration of the output function, offset- and slope-adjustment) the measurement and regulation of the device will be deactivated.*

*By leaving the menu the device will be reinitialised and the measuring/regulation will be started again.*

*At the input function "counter" the counter state will be reset by leaving the menu.*

### 3. Electric Connection

Wiring and commissioning of the device must be carried out by skilled personnel only.

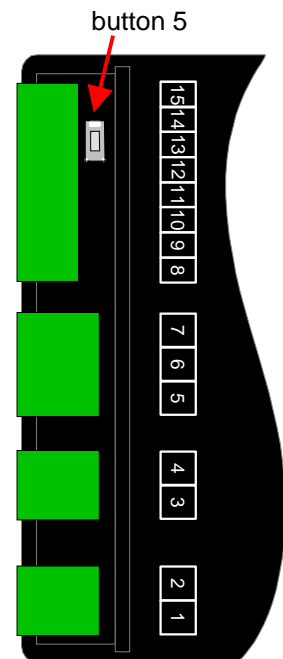
**In case of wrong wiring the device may be destroyed. We can not assume any warranty in case of wrong wiring of the device.**

#### 3.1. Terminal assignment

15	EASYbus-Interface
14	EASYbus-Interface
13	Input: 0-10V
12	Input: 0-1V, 0-2V, mA, frequency, Pt100, Pt1000
11	Input: 0-50mV, thermocouples, Pt100
10	Input: GND, Pt100, Pt1000
9	Transmitter supply voltage -
8	Transmitter supply voltage +
7	Output 2: Relay, break contact, *1 *2
6	Output 2: Relay, make contact, *1 *2
5	Output 2: Relay, input, *1 *2
4	Output 1: Relay, make contact, *1 *2 or analog output +
3	Output 1: Relay, input, *1 *2 or analog output -
2	Supply voltage 230VAC, *1
1	Supply voltage 230VAC, *1

\*1 = or the corresponding designation on the label on the housing

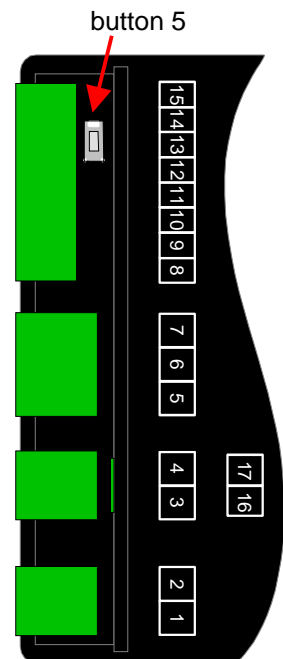
\*2 = not available at GIA 2000



#### 3.2. Terminal assignment for options AAG020/3 and AAG010/3

15	EASYbus-Interface
14	EASYbus-Interface
13	Input: 0-10V
12	Input: 0-1V, 0-2V, mA, frequency, Pt100, Pt1000
11	Input: 0-50mV, thermocouples, Pt100
10	Input: GND, Pt100, Pt1000
9	Transmitter supply voltage -
8	Transmitter supply voltage +
7	Output 2: Relay, break contact, *1
6	Output 2: Relay, make contact, *1
5	Output 2: Relay, input, *1
4	Output 1: Relay, make contact, *1
3	Output 1: Relay, input, *1
17	Output 3: analog output -
16	Output 3: analog output +
2	Supply voltage 230VAC, *1
1	Supply voltage 230VAC, *1

\*1 = or the corresponding designation on the label on the housing



### 3.3. Connection data

	between terminals	typical		limitations		notes
		min.	max.	min.	max.	
Supply voltage	1 and 2	207 V <sub>AC</sub>	244 V <sub>AC</sub>	0 V <sub>AC</sub>	253 V <sub>AC</sub>	or corresponding designation on the type plate
Output 1: (Relay: make contact) *2 *3	3 and 4				253 V <sub>AC</sub> 5A ohmic load	or corresponding designation on the type plate
Output 1: analog output *4	0-20mA	3 and 4		0 Ω	400 Ω	active signal not allowed
	4-20mA					
	0-10V					
Output 2 (Relay: change-over contact) *2	5, 6 and 7				253 V <sub>AC</sub> 10A ohmic load	or corresponding designation on the type plate
Input 0-50mV, TC, ...	11 and 10	0 V	3.3 V	-1 V	10 V, I<10mA	
Input mA	12 and 10	0 mA	20 mA	0 mA	30 mA	
Input 0-1(2)V, freq, ...		0 V	3.3 V	-1 V	30 V, I<6mA	
Input 0-10V	13 and 10	0 V	10 V	-1 V	20 V	
Input Pt100 (Pt1000)	10 - 12			0 Ω	∞ Ω	active signal not allowed
<b>EASYbus</b> -Interface	14 and 15	12 V	36 V	0 V	42 V	
Output 3: analog output *5	0-20mA	16 and 17		0 Ω	400 Ω	active signal not allowed
	4-20mA					
	0-10V					
				1000 Ω	∞ Ω	

\*2 = not available at GIA 2000

\*3 = not available at GIR 2002 with options AAG020/1 and AAG010/1

\*4 = only available with options AAG020/1 and AAG010/1

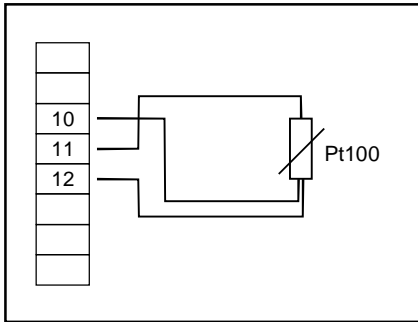
\*5 = only available with options AAG020/3 and AAG010/3

**These limits must not be exceeded (not even for a short time)!**

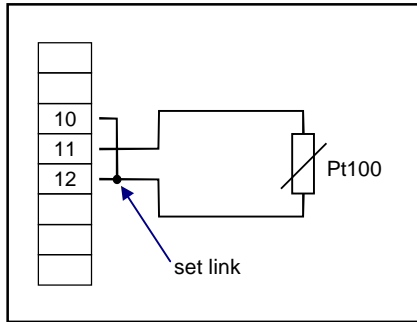
### 3.4. Connecting an input signal

Please take care not to exceed the limitations of the inputs when connecting the device as this may lead to destruction of the device.

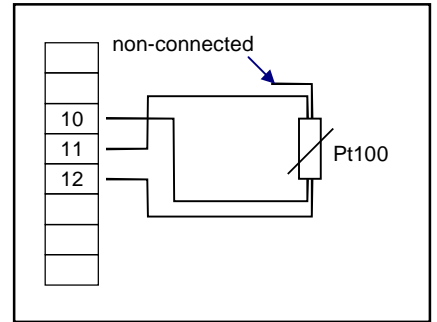
#### 3.4.1. Connecting a Pt100 RTD probe



Pt100-RTD probe (3-wire)

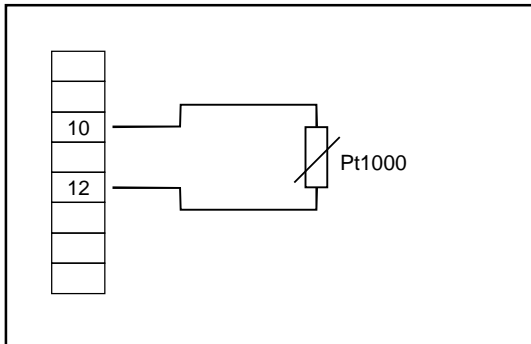


Pt100-RTD probe (2-wire)

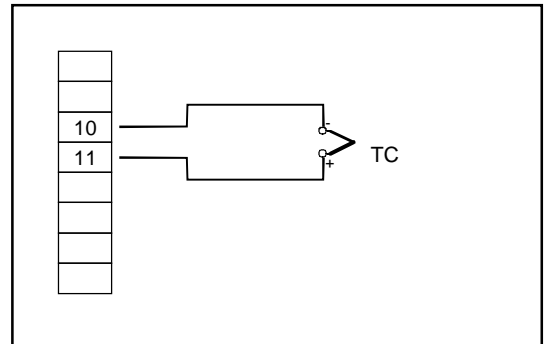


Pt100-RTD probe (4-wire)

#### 3.4.2. Connecting a Pt1000 RTD probe or a thermocouple probe

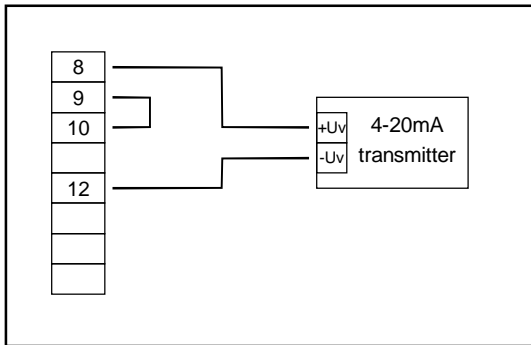


Pt1000-RTD probe (2-wire)

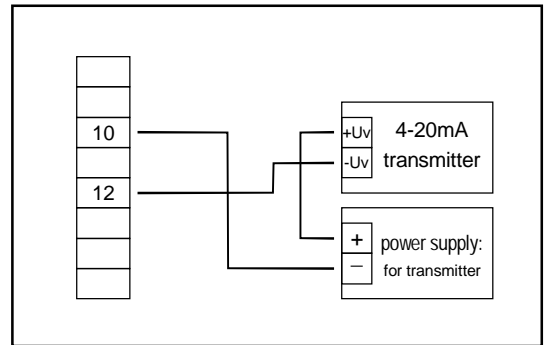


Thermocouple probe

#### 3.4.3. Connecting a 0(4)-20mA transmitter (2-wire- system)

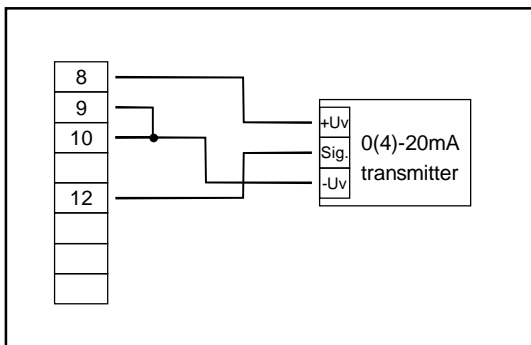


with integrated power supply

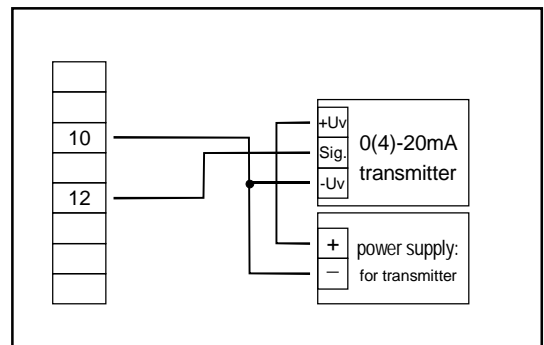


with separate power supply

#### 3.4.4. Connecting a 0(4)-20mA transmitter (3-wire- system)

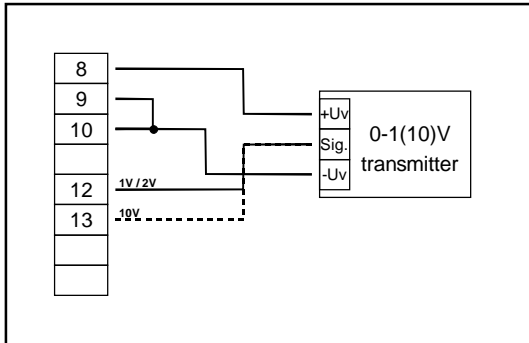


with integrated power supply

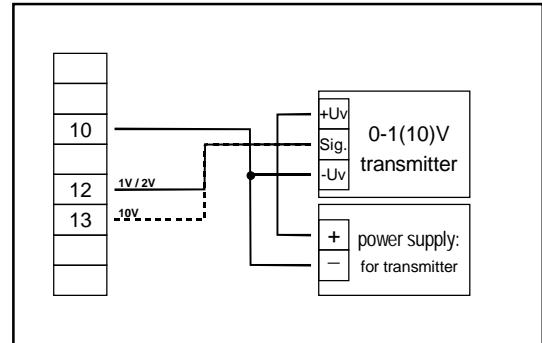


with separate power supply

### 3.4.5. Connecting a 0-1V, 0-2V or 0-10V transmitter (3-wire-system)

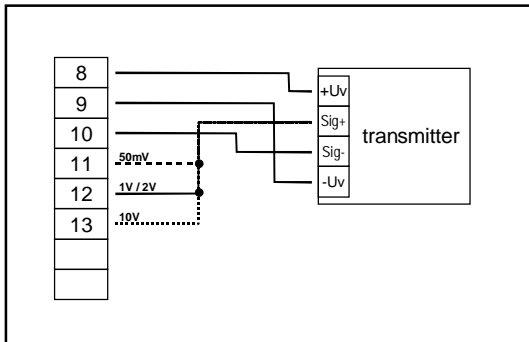


with integrated power supply

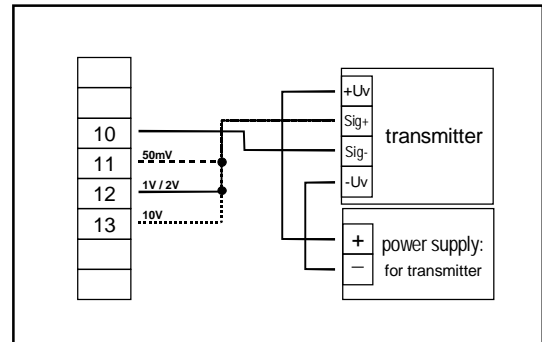


with separate power supply

### 3.4.6. Connecting a 0-1V, 0-2V or 0-10V or 0-50mV transmitter (4-wire-system)



with integrated power supply



with separate power supply

### 3.4.7. Connecting a frequency signal

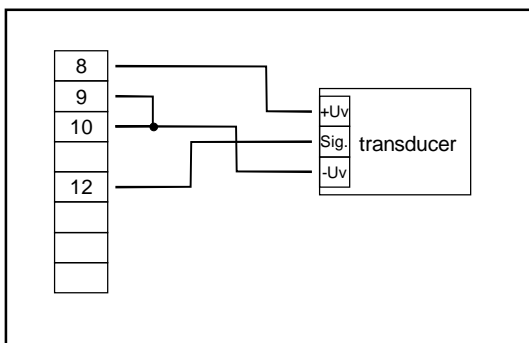
When measuring frequency or rotation three different input signals can be selected in the device's configuration. There is the possibility of connecting an active signal (= TTL, ...), a passive sensor-signal with NPN (= NPN-output, push-button, relay, ...) or PNP (= a PNP output switching to +U<sub>b</sub>, high-side push-button, ...).

When configuring the device with a NPN switching output, a pull-up-resistor (~7k referring to +3.3V) is connected internally. So when You are using a device with NPN output, You don't need to connect a resistor externally.

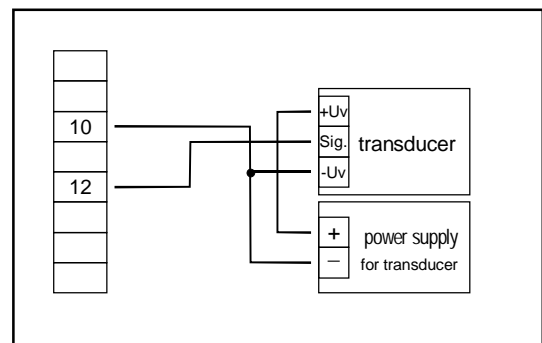
When configuring the device with a PNP switching output, a pull-down resistor (~7k referring to GND) is connected internally. So when You are using a device with PNP output, You don't need a resistor externally.

It may be that your measuring-signal source needs the connection of an external resistor e.g. the pull-up-voltage of 3.3V is not enough for the signal source, or you want to measure in the top level frequency range. In this case the input signal has to be treated like an active signal and you have to configure the device as „TTL“.

**Hint:** when connecting the device You have to take care not to exceed the limits of the input voltage respective the input current of the frequency-input.

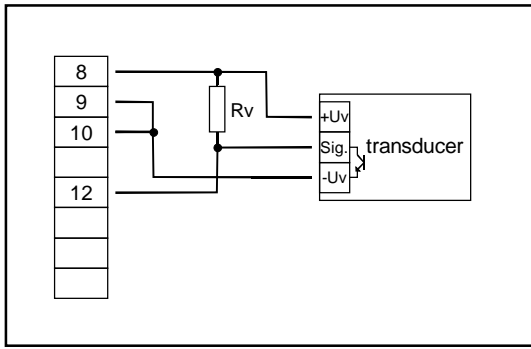


Connection of a transducer (with integrated supply)  
with TLL, NPN or PNP output



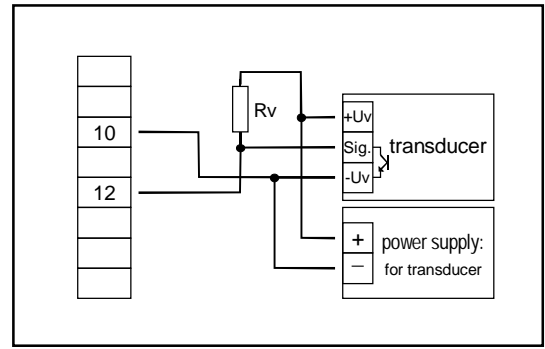
Connection of a transducer (with separate supply)  
with TLL, NPN or PNP output



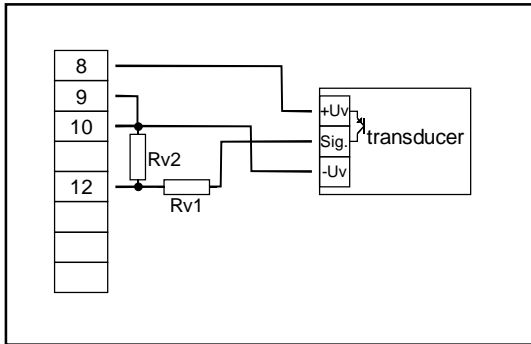


Connection of a transducer (with integrated supply) with NPN output and necessary external resistor

Hint:  $R_v = 3k\Omega$  (with power supply voltage = 12V) or  $7k\Omega$  (with power supply voltage = 24V), device configuration: Sens = TTL

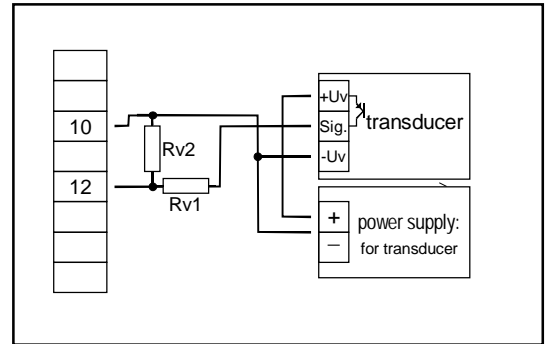


Connection of a transducer (with separate supply) with NPN output and necessary external resistor



Connecting of a transducer (with integrated supply) PNP output with external resistor wiring.

Hint:  $R_{v2} = 600\Omega$ ,  $R_{v1} = 1.8k\Omega$  (with power supply voltage = 12V) or  $4.2k\Omega$  (with power supply voltage = 24V), device config.: Sens = TTL ( $R_{v1}$  is a current limiting resistor and may be shorted if necessary. It should never exceed the mentioned value.)



Connecting of a transducer (with separate supply) PNP output and external resistor wiring.

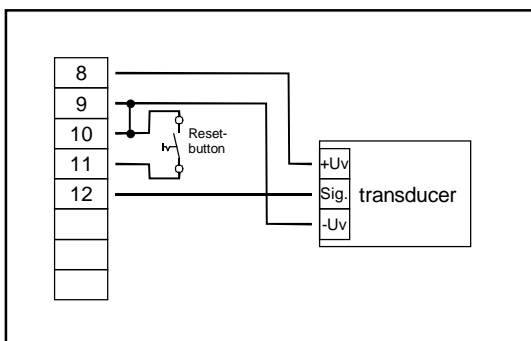
### 3.4.8. Connecting a counter signal

When configuring the device you can select 3 different input signal modes similar to the connection of frequency- and rotation-signals.

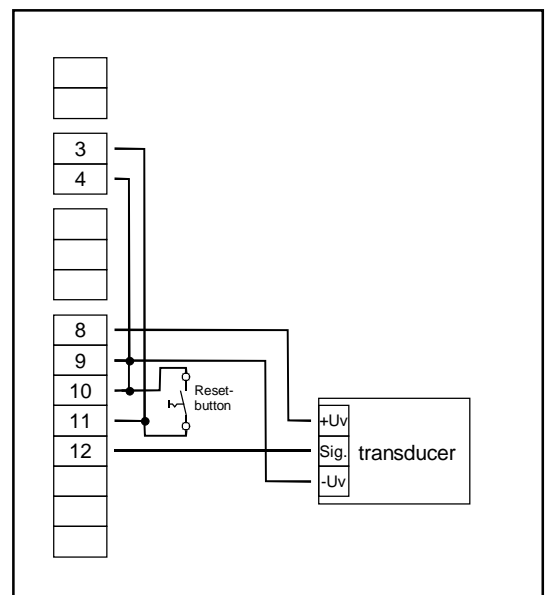
The connection of a sensor-signal for a counter-signal is the same used for the frequency- and rotation-signal. Please use the wiring diagram given in chapter 3.4.7.

There is the possibility to reset the counter. When connecting contact 11 with GND (contact 10) the counter will be reset. You can do this manually (e.g. with the help of a push-button) or automatically (with one switching output of the device – if available).

Hint: **When connecting the device, take care not to exceed the limits of the input-voltage or the input-current of the frequency input.**



manually reset the device with the help of a push-button



automatically resetting with the help of output 2 and additional resetting the device via push-button

### **3.5. Connecting switching outputs (only for GIR 2002)**

**Hint:** *In order to avoid unwanted or wrong switching processes, we suggest to connect the device's switching outputs after you have configured the device's switching outputs properly.*

The device features one switching output (relay) or two switching outputs (relays) by default.

**Please take care that you must not exceed the limits of the voltage and of the maximum current of the switching outputs (not even for a short period of time). Please take extreme care when switching inductive loads (like coils or relays, etc.). Because of their high voltage peaks, protective measures (e.g. RC-element) to limit these peaks have to be taken.**

**Note:** In case of configuring one output as an alarm output, the output will be active in idle state (no alarm present). The output relay opens when an alarm condition occurred.

### **3.6. Common wiring of several devices**

At the standard devices the power supply, measuring input, transmitter supply and the serial interface are electrically isolated of each other.

At device options (e.g. dc-supply) it can occur that this isolation is not completely guaranteed (e.g. connection of – power supply to GND).

When interconnecting several of this devices you have to make sure that there is no potential displacement.

## **4. Configuration of the measuring input**

### **General description and notes to the operating of the menu**

By means of **button 1** you can go to the next parameter.

Additionally a given changing in the parameter setting can be confirmed by this button and the new value will be saved. Afterwards it will be changed to the parameter view again

By means of **button 2** or **button 3** you can go from the parameter view to the parameter setting and adjust its value there.

**Hint:** The buttons 2 and 3 are featured with a 'roll-function'. When pressing the button once the value will be raised (button 2) by one or lowered (button 3) by one. When holding the button pressed for longer than 1 sec. the value starts counting up or down, the counting speed will be raised after a short period of time. The device also features a 'overflow-function', when reaching the upper limit of the range, the device switches to the lower limit, vice versa.

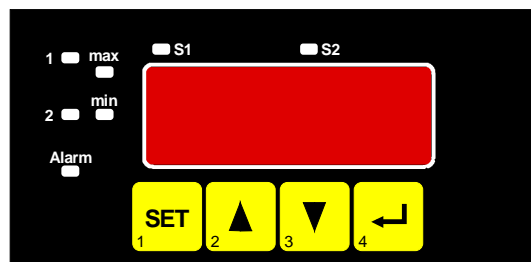
By means of **button 4** a given changing will be cancelled in the parameter setting. The changing will be discarded and the former parameter value will be preserved.

In the parameter view button 4 closes the menu.

**Please note:** If you don't press any button for more than 10 sec. in the parameter setting, the adjustment will be cancelled, the changing discarded and it will be changed to the parameter view. If you don't press any button for more than 60 sec. in the menu, the menu will be automatically closed.

#### 4.1. Selecting an input signal type

- Turn the device on and wait until it completed its built-in segment test.
- At the same time press the **pushbutton on the rear side** (button 5) and **button 2** for >2 seconds. The device displays "InP" ('INPUT').
- Use **button 2** or **button 3** to select the input signal (see table below).
- Validate the selection with **button 1**. The display will show "InP" again.



Depending on the selected input signal, additional configurations will be needed.

Input type	Signal	to select as input	proceed in chapter
Voltage signal	0 – 10 V	<b>U</b>	4.3
	0 – 2 V		
	0 – 1 V		
	0 – 50 mV		
Current signal	4 – 20 mA	<b>I</b>	4.3
	0 – 20 mA		
RTD	Pt100	<b>t.rES</b>	4.2
	Pt1000		
Thermocouples	NiCr-Ni (type K)	<b>t.tc</b>	4.2
	Pt10Rh-Pt (type S)		
	NiCrSi-NiSi (type N)		
	Fe-CuNi (type J)		
	Cu-CuNi (type T)		
Frequency	TTL-signal	<b>FrEq</b>	4.4
	Switch-contact NPN, PNP		
Flow rate	TTL-signal	<b>rPn</b>	4.5
	Switch-contact NPN, PNP		
Rotation	TTL-signal	<b>rPn</b>	4.6
	Switch-contact NPN, PNP		
Counter up	TTL-signal	<b>Co.uP</b>	4.7
	Switch-contact NPN, PNP		
Counter down	TTL-signal	<b>Co.dn</b>	4.7
	Switch-contact NPN, PNP		
Interface mode	Serial interface	<b>SEri</b>	4.8

**Please note:** When changing the measuring mode "InP" all settings will be reset. Therefore you have to set all the other settings of the input configuration again.

**Note:** When changing the measuring mode "InP" the values for the offset and slope-adjustment will be reset. Furthermore a change of the device scaling for standard signals (*di.Lo*, *di.Hi*, *dP*) or of the resolution and unit for temperature can possibly influence the values of the offset and slope-adjustment. Therefore you may check your offset and slope-adjustment after changing the input configuration.

The change of the device scaling for standard signals (*di.Lo*, *di.Hi*, *dP*) or of the resolution and unit for temperature can possibly change the switching and alarm points. Therefore you may check your output settings afterwards.

## 4.2. Measuring temperature (Pt100, Pt1000 RTD probes and thermocouple type J, K, N, S or T)

This chapter describes how to configure the device for temperature measuring with the help of external platinum RTD probes or thermocouple probes. This instruction demands that you selected "t.res" or "t.tc" as your desired input type like it is explained in chapter 4.1. The device has to display "InP".

- When pressing **button 1** the display shows "SEnS".
- Use **button 2** or **button 3** to select your desired input signal.

Display	Input signal (RTD)	Notes
<b>100</b>	Pt100 (3-wire)	Meas.-range: -50.0 ... +200.0 °C (-58.0 ... + 392.0 °F)
		Meas.-range: -200 ... + 850 °C (-328 ... + 1562 °F)
<b>1000</b>	Pt1000 (2-wire)	Meas.-range: -200 ... + 850 °C (-328 ... + 1562 °F)

Display	Input signal (Thermocouples)	Notes
<b>niCr</b>	NiCr-Ni (type K)	Meas.-range: -270 ... +1372 °C (-454 ... + 2502 °F)
		Meas.-range: -70.0 ... +250.0 °C (-94.0 ... + 482.0 °F)
<b>S</b>	Pt10Rh-Pt (type S)	Meas.-range: -50 ... +1750 °C (- 58 ... + 3182 °F)
<b>n</b>	NiCrSi-NiSi (type N)	Meas.-range: -270 ... +1350 °C (-454 ... + 2462 °F)
		Meas.-range: -100.0 ... +300.0 °C (-148.0 ... + 572.0 °F)
<b>J</b>	Fe-CuNi (type J)	Meas.-range: -170 ... + 950 °C (-274 ... + 1742 °F)
		Meas.-range: -70.0 ... +300.0 °C (-94.0 ... + 572.0 °F)
<b>t</b>	Cu-CuNi (type T)	Meas.-range: -270 ... + 400 °C (-454 ... + 752 °F)
		Meas.-range: -70.0 ... +200.0 °C (-94.0 ... + 392.0 °F)

- Validate the selected input signal by pressing **button 1**. The display shows "SEnS" again.
- Press **button 1** again, the display will show "rES" (resolution).  
*This menu item is not available at the input signal Pt1000 and Pt10Rh-Pt (type S).*
- You can chose whether the temperature is displayed with 0.1° or 1° with **button 2** or **button 3**.
- Validate the selected resolution by pressing **button 1**. The display shows "rES" again.
- Press **button 1** again, the display will show "Unit" (the unit you want to display).
- Use **button 2** or **button 3** to select whether you want to display °C or °F.
- Validate the selected unit by pressing **button 1**. The display shows "Unit" again.
- Press **button 1** again, the display will show "FiLt" (Filter = digital filter).
- Use **button 2** or **button 3** for setting the desired filter value [in sec.].  
Selectable values: off, 0.01 ... 2.00 sec.

*Explanation: this digital filter is a digital replica of a low pass filter.*

*Note: If the digital filter is "off" the internal mains hum suppression of the GIR2002 is deactivated. This adjustment is ideal for fastest response to even small changes of the signal, but the display and the analog output gets more turbulent. Therefore the filter should set to at least 0.01 for 'ordinary' application*

*A filter value of at least 0.1 is recommended for the input type S.*

- Press **button 1** to validate your value, the display shows "FiLt" again.
- When pressing **button 1** again, the display shows "InP" ('INPUT') again.

Now your device is adjusted to your input signal.

- Press now **button 4** to exit the input configuration menu.

### 4.3. Measuring voltage and current (0-50mV, 0-1V, 0-2V, 0-10V, 0-20mA, 4-20mA)

This chapter describes how you configure the device for measuring voltage- or current-signals from an external transmitter. This instruction demands that you selected "U" or "I" as your desired input type like it is explained in chapter 4.1. The display has to show "InP".

- Press **button 1**. The display shows "SEnS".
- Select the desired input signal using **button 2** or **button 3**.

Display	Input signal (voltage measuring)	Notes
<b>10.00</b>	0 – 10 V	
<b>2.00</b>	0 – 2 V	
<b>1.00</b>	0 – 1 V	
<b>0.050</b>	0 – 50 mV	

Display	Input signal (current measuring)	Notes
<b>4-20</b>	4 – 20 mA	
<b>0-20</b>	0 – 20 mA	

- Validate the selected input signal by pressing **button 1**. The display shows "SEnS" again.
- Press **button 1** again, the display will show "dP" (decimal point).
- Select the desired decimal point position by pressing **button 2** or **button 3**.
- Validate the selected decimal position by pressing **button 1**. The display shows "dP" again.
- Press **button 1** again, the display will show "di.Lo" (Display Low = low display value).
- Use **button 2** or **button 3** to select the desired value the device should display when a 0mA, 4mA or 0V input signal is attached.
- Validate the selected value by pressing **button 1**. The display shows "di.Lo" again.
- Press **button 1** again, the display will show "di.Hi" (Display High = high display value).
- Use **button 2** or **button 3** to select the desired value the device should display when a 20mA, 50mV, 1V, 2V or 10V input signal is attached.
- Validate the selected value by pressing **button 1**. The display shows "di.Hi" again.
- Press **button 1** again. The display will show "Li" (Limit = Measuring range limit).
- Use **button 2** or **button 3** to select the desired measuring range limit.

Display	Measuring range limit	Notes
<b>off</b>	Deactivated	Exceeding of the measuring range limit is tolerable until the measuring limit (see note).
<b>on.Er</b> (on error)	Active, (displays error)	The measuring range limit is exactly bounded by the input signal. When exceeding or short-falling the input signal the device will display an error message.
<b>on.rG</b> (on range)	Active, (displays the selected limit)	The measuring range limit is exactly bounded by the input signal. When exceeding or short-falling the input signal the device will display the selected lower/upper display value. <i>[e.g. humidity: when shortfalling or exceeding, the device will display 0% or 100%]</i>

**Note:** When exceeding the measuring limit (~ upper measuring range + 10%) independently from the limit setting, the device will always display the corresponding error message ("Err.1").  
When shortfalling the measuring limit (~ lower measuring range - 10%) independently from the limit setting, the

device will always be displaying the corresponding error message ("Err.2"), if the input signal 4-20mA is chosen. A shortfalling of 0V or 0mA is not detected.

- Press **button 1** to validate the selection, the display shows "Li" again.
- When pressing **button 1** again, the display will show "FiLt" (Filter = digital filter).
- Use **button 2** or **button 3** to select the desired filter [in sec.].  
Selectable values: off, 0.01 ... 2.00 sec.

*Explanation: this digital filter is a digital replica of a low pass filter.*

*Note: If the digital filter is "off" the internal mains hum suppression of the GIR2002 is deactivated. This adjustment is ideal for fastest response to even small changes of the signal, but the display and the analog output gets more turbulent. Therefore the filter should be set to at least 0.01 for 'ordinary' application  
A filter value of at least 0.1 is recommended for the input signal 0-50mV.*

- Press **button 1** to validate your value, the display shows "FiLt" again.
- When pressing **button 1** again, the display shows "InP" ('INPUT') again.

Now your device is adjusted to your input signal.

- Press now **button 4** to exit the input configuration menu.

#### **4.4. Measuring of frequency (TTL, switching-contact)**

This chapter describes how to configure the device for measuring frequency.

This instruction demands that you selected "FrEq" as your desired input type like it is explained in chapter 4.1. The device has to display "InP".

- When pressing **button 1** the display will show "SEnS".
- Use **button 2** or **button 3** to select the desired input signal.

Display	Input signal	Note
<b>ttL</b>	TTL-signal	
<b>nPn</b>	Switching contact, NPN	For direct connection of a passive switching contact (e.g. push button, relay) or transmitter with NPN output. There is an internal pull-up-resistor. <i>Hint: when using push-buttons or relays, they must be bounce-free!</i>
<b>PnP</b>	Switching contact, PNP	For direct connection of a transmitter with PNP output. There is an internal pull-down-resistor.

*Hint: For the connection of a frequency-transmitter, please follow the instructions given in chapter 3.4.7. When connecting a switching-contact-transmitter with increased frequency range (= with external circuitry) you have to select TTL as your desired input signal.*

- Validate your selected input signal by pressing **button 1**. The display shows "SEnS" again.
- When pressing **button 1** again, the display will show "Fr.Lo" (frequency low = lower frequency range limit).
- Use **button 2** or **button 3** to select the lowest frequency that may occur when measuring.
- Press **button 1** to validate your selection. The display shows "Fr.Lo" again.
- When pressing **button 1** again, the display will show "Fr.Hi" (frequency high = upper frequency range limit).
- Use **button 2** or **button 3** to select the highest frequency that may occur when measuring.
- Press **button 1** to validate your selection. The display shows "Fr.Hi" again.
- When pressing **button 1** again, the display will show "dP" (decimal point).
- Use **button 2** or **button 3** to select the desired decimal point position.
- Press **button 1** to validate your selection. The display shows "dP" again.

- When pressing **button 1** again, the display will show "**di.Lo**" (display low = display at lower frequency range limit).
- Set the value the device shall display at the lower frequency range limit by pressing **button 2** or **button 3**.
- Press **button 1** to validate your selection. The display shows "**di.Lo**" again.
- When pressing **button 1** again, the display will show "**di.Hi**" (display high = display at upper frequency range limit).
- Set the value the device shall display at the upper frequency range limit by pressing **button 2** or **button 3**.
- Press **button 1** to validate your selection. The display shows "**di.Hi**" again.
- When pressing **button 1** again, the display will show "**Li**" (limit = measuring range limitation).
- Use **button 2** or **button 3** to select the desired measuring range limitation.

Display	Measuring range limit	Note
<b>off</b>	Inactive	Exceeding of the measuring-frequency is tolerable until you reach the maximum measuring range limit.
<b>on.Er</b>	active, (error indicator)	The measuring range is exactly bounded by the selected frequency-measuring-range-limit. When exceeding or shortfalling of the limit the device will display an error message.
<b>on.rG</b>	active, (frequency range limit)	The measuring range is exactly bounded by the selected frequency-measuring-range-limit. When exceeding or shortfalling of the limit the device will display the lower or upper display-range-limit. [e.g. humidity: when shortfalling or exceeding, the device will display 0% or 100%]

*Hint: When exceeding the maximum range limit (10kHz) independently from the limit setting an error message will be displayed ("Err.1").*

- Press **button 1** to validate your selection. The display shows "**Li**" again.
- When pressing **button 1** again, the display will show "**FiLt**" (Filter = digital filter).
- Use **button 2** or **button 3** to select the desired filter value [in sec.].  
Usable values: off, 0.01 ... 2.00 sec.

*Explanation: this digital filter is a digital replica of a low pass filter.*

- Press **button 1** to validate your selection. The display shows "**FiLt**" again.
- When pressing **button 1** again, the display shows "**InP**" ('INPUT') again.

*Now your device is adjusted to your input signal.*

- Press now **button 4** to exit the input configuration menu.

## 4.5. Measuring of flow rate (TTL, switching-contact)

This chapter describes how to configure the device for measuring flow rate

This instruction demands that you selected "Flo.P" as your desired input type like it is explained in chapter 4.1. The device has to display "InP".

- When pressing **button 1** the display will show "SEnS".
- Use **button 2** or **button 3** to select the desired input signal.

Display	Input signal	Note
<b>ttL</b>	TTL-signal	
<b>nPn</b>	Switching contact, NPN	For direct connection of a passive switching contact (e.g. push button, relay) or transmitter with NPN output. There is a internal pull-up-resistor. <i>Hint: when using push-buttons or relays, they must be bounce-free!</i>
<b>PnP</b>	Switching contact, PNP	For direct connection of a transmitter with PNP output. There is a internal pull-down-resistor.

*Hint: For the connection of a frequency-transmitter, please follow the instructions given in chapter 3.4.7.  
When connecting a switching-contact-transmitter with increased frequency range (= with external circuitry) you have to select TTL as your desired input signal.*

- Validate your selected input signal by pressing **button 1**. The display shows "SEnS" again.
- When pressing **button 1** again, the display will show "Pu/L" (pulse per litre).
- Use **button 2** or **button 3** to select the value of pulse/litre of your flow rate transmitter.
- Validate your selected input signal by pressing **button 1**. The display shows "Pu/L" again.
- Press **button 1** again, the display will show "Unit" (the unit you want to display).
- Use **button 2** or **button 3** to select the desired unit.

Display	unit	Note
<b>L / S</b>	litre / second	
<b>L / h</b>	litre / hour	
<b>L / n</b>	litre / minute	

- Validate the selected unit by pressing **button 1**. The display shows "Unit" again.
- When pressing **button 1** again, the display will show "dP" (decimal point).
- Use **button 2** or **button 3** to select the desired decimal point position.
- Press **button 1** to validate your selection. The display shows "dP" again.
- When pressing **button 1** again, the display will show "FiLt" (Filter = digital filter).
- Use **button 2** or **button 3** to select the desired filter value [in sec.].  
Usable values: off, 0.01 ... 2.00 sec.

*Explanation: this digital filter is a digital replica of a low pass filter.*

- Press **button 1** to validate your selection. The display shows "FiLt" again.
- When pressing **button 1** again, the display shows "InP" ('INPUT') again.

Now your device is adjusted to your input signal.

- Press now **button 4** to exit the input configuration menu.



## 4.6. Measuring of rotation speed (TTL, switching-contact)

This chapter describes how to configure the device for measuring rotation speed.

This instruction demands that you selected "rPn" as your desired input type like it is explained in chapter 4.1. The device has to display "InP".

- When pressing **button 1** the display will show "SEnS".
- Use **button 2** or **button 3** to select the desired input signal.

Display	Input signal	Note
<b>ttL</b>	TTL-signal	
<b>nPn</b>	Switching contact, NPN	For direct connection of a passive switching contact (e.g. push button, relay) or transmitter with NPN output. There is a internal pull-up-resistor. <i>Hint: when using push-buttons or relays, they must be bounce-free!</i>
<b>PnP</b>	Switching contact, PNP	For direct connection of a transmitter with PNP output. There is a internal pull-down-resistor.

*Hint: For the connection of a frequency-transmitter, please follow the instructions given in chapter 3.4.7. When connecting a switching-contact-transmitter with increased frequency range (= with external circuitry) you have to select TTL as your desired input signal.*

- Validate your selected input signal by pressing **button 1**. The display shows "SEnS" again.
- When pressing **button 1** again, the display will show "diu" (divisor).
- Use **button 2** or **button 3** to select your desired divisor.  
*Set the divisor to the pulses per rotation the transmitter supplies.*
- Press **button 1** to validate your selection. The display shows "diu" again.
- When pressing **button 1** again, the display will show "dP" (decimal point).
- Use **button 2** or **button 3** to select the desired decimal point position.

*Use the decimal point position to change the resolution of your measurement. The more the decimal point position is on the left, the finer the resolution will become. Please note that you lower the maximum value that can be displayed, either.*

*Example: your engine runs with 50 rotations per minute.*

*With no decimal point the device can only display big deviations ( '49 – 50 – 51'), the maximum value that can be displayed is 9999 rotations per minute.*

*With the decimal point position on the left e.g. XX.XX the device will display small deviations ('49.99 – 50.00 – 50.01'), but the maximum value that can be displayed is 99.99 rotations per minute.*

- Press **button 1** to validate your selection. The display shows "dP" again.
- When pressing **button 1** again, the display shows "InP" ('INPUT') again.

*Now your device is adjusted to your input signal.*

- Press now **button 4** to exit the input configuration menu.

## 4.7. Up-/Downwards counter (TTL, switching-contact)

The upwards counter starts counting upwards from 0 according to its settings.

The downwards counter starts counting downwards from the selected upper value.

The present value of the counter can be reset anytime by connecting pin 11 to GND (pin 10). The counter starts from its beginning as you disconnect pin 11 and pin 10.

*Feature: The present counter value won't be lost if the voltage supply is disconnected. The counter starts from this value after restarting.*

This chapter describes how to configure the device as a counter.

This instruction demands that you selected "**Co.up**" or "**Co.dn**" as your desired input type like it is explained in chapter 4.1. The device has to display "**InP**".

- When pressing **button 1** the display will show "**SEnS**".
- Use **button 2** or **button 3** to select the desired input signal.

Display	Input signal	Note
<b>ttL</b>	TTL-signal	
<b>nPn</b>	Switching contact, NPN	For direct connection of a passive switching contact (e.g. push button, relay) or transmitter with NPN output. There is a internal pull-up-resistor. <i>Hint: when using push-buttons or relays, they must be bounce-free!</i>
<b>PnP</b>	Switching contact, PNP	For direct connection of a transmitter with PNP output. There is a internal pull-down-resistor.

*Hint: For the connection of a frequency-transmitter, please follow the instructions given in chapter 3.4.8. When connecting a switching-contact-transmitter with increased frequency range (= with external circuitry) you have to select TTL as your desired input signal.*

- Validate your selected input signal by pressing **button 1**. The display shows "**SEnS**" again.
- When pressing **button 1** again, the device will be displaying "**EdGE**" (signal edge).
- Use **button 2** or **button 3** to select the desired signal edge.

Display	Signal edge	Note
<b>PoS</b>	Positive	The counter is triggered on the positive (rising) edge.
<b>nEG</b>	Negative	The counter is triggered on the negative (falling) edge.

- Press **button 1** to validate your selection, the display shows "**EdGE**" again.
- When pressing **button 1** again, the display will show "**diu**" (divisor).
- Use **button 2** or **button 3** to select your desired divisor.

*The incoming pulses will be divided with the selected pre-scaling factor, after that they will be transmitted to the device for further processing.*

*By this factor you can adapt the device to your transmitter or select a pre-scaling factor for large values*

*Example 1: Your flow rate transmitter supplies 165 pulses per litre. When setting a pre-scaling factor of 165 every 165th pulse (so 1 pulse per litre) will be used for further processing.*

*Example 2: Your transmitter is supplying about 5 000 000 pulses during the measurement, which exceeds the limit of the device. But when setting a pre-scaling factor of 1000 only every 1000th pulse is used for further processing. So you only got a value 5000 which won't exceed the limit of the device.*

- Press **button 1** to validate your selection. The display shows "**diu**" again.
- Press **button 1** again. The display shows "**Co.Hi**" (counter high = upper counting range limit).

- Use **button 2** or **button 3** to select the maximum pulse-count (after pre-scaling factor) for the counting process.

*Example:* Your flow rate transmitter is supplying 1800 pulses per litre, you selected a pre-scaling factor of 100 and you are expecting a maximum flow rate of 300 litres during the measurement. With a pre-scaling factor of 100 selected, you will get 18 pulses per litre. With a maximum flow rate of 300 litres you will be getting a pulse count of  $18 * 300 = 5400$ .

- Press **button 1** to validate your selection. The display shows "**Co.Hi**" again.
- When pressing **button 1** again, the display will show "**dP**" (decimal point).
- Use **button 2** or **button 3** to select the desired decimal point position.
- Press **button 1** to validate your selection. The display shows "**dP**" again.
- Press **button 1** again. The display shows "**di.Hi**" (display high = upper display range limit).
- Use **button 2** or **button 3** to set the value to be displayed when the maximum pulse (setting of co.Hi) count is reached.

*Example:* Your flow rate transmitter is supplying 1800 pulses per litre and you are expecting a maximum flow rate of 300 litres. You selected a pre-scaling factor of 100 and a counter range limit of 5400. When wanting a resolution of 0.1 litres shown in the display of the device you would have to set the decimal point position to ---.- and a display range limit of 300.0.

- Press **button 1** to validate your selection. The display shows "**di.Hi**" again.
- Press **button 1**. The display will show "**Li**" (Limit = measuring range limit).
- Use **button 2** or **button 3** to select the desired measuring range limitation.

Display	Measuring range limit	Note
<b>off</b>	Inactive	Exceeding of the counter range is tolerable until you reach the maximum measuring range limit.
<b>on.Er</b>	active, (error indicator)	The measuring range is exactly bounded by the selected counter-range-limit. When exceeding or shortfalling of the limit the device will display an error message.
<b>on.rG</b>	active, (measuring range limit)	The measuring range is exactly bounded by the selected counter-range-limit. When exceeding or shortfalling of the limit the device will display the upper counter-range-limit or 0

*Hint:* The lower counter-range-limit (for configured downwards counter) is fixed to 0.

- Press **button 1** to validate your selection. The display shows "**Li**" again.
- When pressing **button 1** again, the display shows "**InP**" ('INPUT') again.

Now your device is adjusted to your input signal.

- Press now **button 4** to exit the input configuration menu.

## **4.8. Interface mode**

*When the device is in the interface mode it won't make any measurements by itself. The value shown in the device's display is sent via serial interface. But the switching and alarm functions of the displayed value are still available.*

*The **EASYbus**-Address of the device needed for the communication can be set manually with the device itself or with the help of an **EASYbus**-software (like EbxKonfig). Please note, when carrying out an **EASYbus**-system-initialisation the device's address will be reset automatically.*

This chapter describes how to configure the device as an **EASYbus**-display.

This instruction demands that you selected "**Seri**" as your desired input type like it is explained in chapter 4.1. The device has to display "**InP**".

- When pressing **button 1** again, the device will display "**Adr**" (address).
- Use **button 2** or **button 3** to select the desired address [0 ... 239] of the device.
- Press **button 1** to validate the selected device address. The display shows "**Adr**" again.
- When pressing **button 1** again, the device will be displaying "**dP**" (decimal point).
- Use **button 2** or **button 3** to select the desired decimal point position.
- Press **button 1** to validate your selected decimal point position. The display shows "**dP**" again.
- When pressing **button 1** again, the display shows "**InP**" ('INPUT') again.

*You don't need any further configuration.*

- Press now **button 4** to exit the input configuration menu.

## 5. Configuration of the analog output (only at devices with option AAG)

**A change of the input configuration can possibly influence the configuration of the analog output. (e.g. changing of scaling for standard signals or changing of resolution or unit for temperature)**

**Therefore the analog output configuration should be done after the input configuration has been finished.**

**Additionally you may check your analog output settings after the input configuration has been changed.**

### General description and notes to the operating of the menu

By means of **button 1** you can go to the next parameter.

Additionally a given changing in the parameter setting can be confirmed by this button and the new value will be saved. Afterwards it will be changed to the parameter view again

By means of **button 2** or **button 3** you can go from the parameter view to the parameter setting and adjust its value there.

*Hint:* The buttons 2 and 3 are featured with a 'roll-function'. When pressing the button once the value will be raised (button 2) by one or lowered (button 3) by one. When holding the button pressed for longer than 1 sec. the value starts counting up or down, the counting speed will be raised after a short period of time. The device also features a 'overflow-function', when reaching the upper limit of the range, the device switches to the lower limit, vice versa.

By means of **button 4** a given changing will be cancelled in the parameter setting. The changing will be discarded and the former parameter value will be preserved.

In the parameter view button 4 closes the menu.

**Please note:** If you don't press any button for more than 10 sec. in the parameter setting, the adjustment will be cancelled, the changing discarded and it will be changed to the parameter view. If you don't

### 5.1. Scaling the analog output

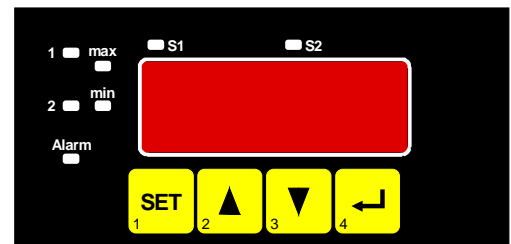
The analog output can be scaled arbitrary within the display range.

- Turn on the device and wait after it finished its built-in segment test.
- At the same time press the **pushbutton on the rear side** (button 5) and **button 4** for >2 seconds.

The display shows "**dA.ou**" (only for analog output 0(4)...20mA)

*Note:* For analog output 0...10V is this point not available and the scaling begins with "**dA.Lo**"(see below).

- Use **button 2** or **button 3** to select the desired output signal.  
"4-20" = analog output 4..20mA  
"0-20" = analog output 0..20mA
- Validate the selected value by pressing **button 1**. The display shows "**dA.ou**" again.
- Press **button 1** again, the displays will show "**dA.Lo**" (d/a converter low = low analog output value).
- Use **button 2** or **button 3** to select the desired display value corresponding to the analog output value 0mA, 4mA or 0V.
- Validate the selected value by pressing **button 1**. The display shows "**dA.Lo**" again.
- Press **button 1** again, the display will show "**dA.Hi**" (d/a converter high = high analog output value).
- Use **button 2** or **button 3** to select the desired display value corresponding to the analog output value 20mA or 10V
- Validate the selected value by pressing **button 1**. The display shows "**dA.Hi**" again.



- Press **button 1** again, the display will show "**dA.Fi**" (d/a converter filter = filter adjustment of the analog output).

**Note:** The "**dA.Fi**" value can only be set for the input signal types "voltage", "current" and "frequency". Otherwise the analog output always corresponds directly to the displayed value (equal to: "filter value" = '**disp**', see following 'explanation') and the scaling continuous with the point "**dA.Er**" (see below).

- Use **button 2** or **button 3** to select the desired filter value

**Explanation:** The analog output corresponds directly to the displayed value if the filter value = '**disp**', i.e. the filter for the display (set in the 'configuration of the measuring input') takes effect on the analog output. The resolution of the analog output depends on the scaling of the display. With a filter value > 0 the analog output is independent of the filter for the display and it has the highest possible resolution no matter how the display is scaled. With a small filter values the analog output responds faster to changes of the signal, but the analog output gets more turbulent. With a high filter value the analog outputs 'smoothed', but it responds to changes of the signal delayed.

- Validate the selected value by pressing **button 1**. The display shows "**dA.Fi**" again.
- Press **button 1** again, the display will show "**dA.Er**" (d/a converter error = preferred state of analog output).
- Use **button 2** or **button 3** to set the preferred analog output state in case of an error

Display	Preferred state of the output	Note
<b>off</b>	Inactive in case of an error	output signal = 0 mA or 0 V
<b>on</b>	Active in case of an error	output signal = >23 mA or >10.5 V

- Press **button 1** to validate the selection. The display shows "**dA.Er**" again.
- When pressing **button 1** again, the display shows "**dA.Lo**" or "**dA.ou**" again.

Now you have finished the analog output configuration.

- Press now **button 4** to exit the analog output configuration menu.

## 6. Configuration of the output functions (only for GIR 2002)

**A change of the input configuration can possibly influence the switching points and alarm boundaries. (e.g. changing of scaling for standard signals or changing of resolution or unit for temperature)**

**Therefore the output configuration and switching points / alarm boundaries adjustment should be done after the input configuration has been finished.**

**Additionally you may check your output settings after the input configuration has been changed.**

### General description and notes to the operating of the menu

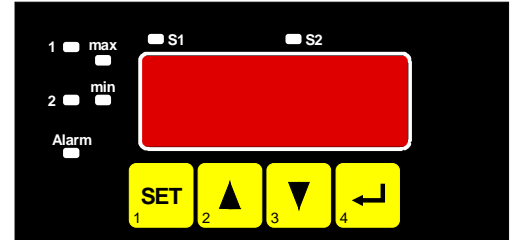
By means of **button 1** you can go to the next parameter. Additionally a given changing in the parameter setting can be confirmed by this button and the new value will be saved. Afterwards it will be changed to the parameter view again

By means of **button 2** or **button 3** you can go from the parameter view to the parameter setting and adjust its value there.

*Hint:* The buttons 2 and 3 are featured with a 'roll-function'. When pressing the button once the value will be raised (button 2) by one or lowered (button 3) by one. When holding the button pressed for longer than 1 sec. the value starts counting up or down, the counting speed will be raised after a short period of time. The device also features a 'overflow-function', when reaching the upper limit of the range, the device switches to the lower limit, vice versa.

By means of **button 4** a given changing will be cancelled in the parameter setting. The changing will be discarded and the former parameter value will be preserved. In the parameter view button 4 closes the menu.

**Please note:** If you don't press any button for more than 10 sec. in the parameter setting, the adjustment will be cancelled, the changing discarded and it will be changed to the parameter view. If you don't press any button for more than 60 sec. in the menu, the menu will be automatically closed.



### 6.1. Selection of the output function

- Turn the device on and wait until it completed its built-in segment test.
- At the same time press the **pushbutton on the rear side** (button 5) and **button 1** for >2 seconds. The device displays "outP" ('output').
- Use **button 2** or **button 3** to select the output function. According your selection the outputs will be allocated as the following table shows:

Description	To select as output	Output 1 (make contact)	Output 2 (change-over contact)	See chapter
No output, device is used as display unit	<b>no</b>	off	off	--
2-point-controller	<b>2P</b>	Switching function 1	off	6.2
3-point-controller * <sup>1</sup>	<b>3P</b>	Switching function 1	Switching function 2	6.2
2-point-controller with Min-/Max-alarm * <sup>1</sup>	<b>2P.AL</b>	Switching function 1	Min-/Max-alarm, inverse * <sup>2</sup>	6.3
Min-/Max-alarm, common	<b>AL.F1</b>	off	Min-/Max-alarm, inverse * <sup>2</sup>	6.4
Min-/Max-alarm, individual * <sup>1</sup>	<b>AL.F2</b>	Max-alarm, inverse * <sup>2</sup>	Min-alarm, inverse * <sup>2</sup>	6.4

\*<sup>1</sup> = this function is not available at devices with option AAF020/1 and AAG010/1, because there output 1 is analog output.

\*<sup>2</sup> = Alarm inverse means, that the output will be active when there is no alarm!

- Press **button 1** to validate the selected output function. The display shows "outP" again.

*Hint:* The settings for the switching and alarm points can be made later in an extra menu (see chapter 7)

## 6.2. 2-point-controller, 3-point-controller

This chapter describes how to configure the device as a 2-point-controller or 3-point-controller and how to adjust the switching values. This instruction demands that you selected "2P" or "3P" as your desired output function like it is explained in chapter 6.1.

- Press **button 1**. The device will be displaying "1.on" (turn-on-point of switching function 1).
  - Use **button 2** or **button 3** to set the desired value, the device's switching function 1 should be turning on.
  - Press **button 1** to validate your selection. The display shows "1.on" again.
  - Press **button 1** again, the device will be displaying "1.off". (turn-off-point of switching function 1)
  - Use **button 2** or **button 3** to set the desired value, the device's switching function 1 should be turning off.
  - Press **button 1** to validate your selection. The display shows "1.off" again.
  - Press **button 1** again, the device will be displaying "1.dEL"(delay of switching function 1).
  - Use **button 2** or **button 3** to set the desired value [in sec] for the switching-delay of switching function 1.
- Hint: The value for the switching-delay is the time [in sec] the device waits at least to switch on output 1 again after the output was switched off.*
- Press **button 1** to validate the selection. The display shows "1.dEL" again.
  - When pressing **button 1** again, the device will display "1.Err" (preferred state of switching function 1).
  - Use **button 2** or **button 3** to set the desired initial state in case of an error.

Display	Preferred state of the output	Note
off	Inactive in case of an error	
on	Active in case of an error	

- Press **button 1** to validate the selection. The display shows "1.Err" again.
- In case you selected a 3-point-controller you have to make the following settings analog to the settings you already made for switching function 1. The shown menu items are:  
"2.on" (turn-on-point of switching function 2), "2.off". (turn-off-point of switching function 2),  
"2.dEL"(delay of switching function 2), "2.Err" (preferred state of switching function 2)
- When pressing **button 1** again, the display shows "outP" ('output') again.

Now you have finished the output configuration.

- Press now **button 4** to exit the output configuration menu.

## 6.3. 2-point-controller with alarm function

This chapter describes how to configure the device as a 2-point-controller with alarm function how to adjust the switching values and alarm boundaries. This instruction demands that you selected "2P.AL" as your desired output function like it is explained in chapter 6.1.

*Please note that the alarm-outputs are inverted! This means, that the output will be active when there is no alarm!*

- Press **button 1**. The device will be displaying "1.on" (turn-on-point of switching function 1).
- Use **button 2** or **button 3** to set the desired value, the device's switching function 1 should be turning on.
- Press **button 1** to validate your selection. The display shows "1.on" again.
- Press **button 1** again, the device will be displaying "1.off". (turn-off-point of switching function 1)
- Use **button 2** or **button 3** to set the desired value, the device's switching function 1 should be turning off.
- Press **button 1** to validate your selection. The display shows "1.off" again.
- Press **button 1** again, the device will be displaying "1.dEL"(delay of switching function 1).
- Use **button 2** or **button 3** to set the desired value [in sec] for the switching-delay of switching function 1.

*Hint: The value for the switching-delay is the time [in sec] the device waits at least to switch on output 1 again after the output was switched off.*



- Press **button 1** to validate the selection. The display shows “**1.dEL**” again.
- When pressing **button 1** again, the device will display “**1.Err**” (preferred state of switching function 1).
- Use **button 2** or **button 3** to set the desired initial state in case of an error.

Display	Preferred state of the output	Note
<b>off</b>	Inactive in case of an error	
<b>on</b>	Active in case of an error	

- Press **button 1** to validate the selection. The display shows “**1.Err**” again.
- When pressing **button 1**, the device will be displaying “**AL.Hi**”. (maximum alarm-value)
- Use **button 2** or **button 3** to set the desired value, the device should turn on its maximum-alarm.
- Press **button 1** to validate your selection. The display shows “**AL.Hi**” again.
- When pressing **button 1** again, the device will be displaying “**AL.Lo**”. (minimum alarm-value)
- Use **button 2** or **button 3** to set the desired value, the device should turn on its minimum-alarm
- Press **button 1** to validate your selection. The display shows “**AL.Lo**” again.
- When pressing **button 1** again, the device will be displaying “**A.dEL**”. (delay of the alarm-function)
- Use **button 2** or **button 3** to set the desired delay of the alarm-function in [sec].

*Note: The device will turn on the alarm after the minimum or the maximum alarm value was active for the delay-time you have set.*

- Press **button 1** to validate the delay time. The display shows “**A.dEL**” again.
- When pressing **button 1** again, the display shows “**outP**” ('output') again.

Now you have finished the output configuration.

- Press now **button 4** to exit the output configuration menu.

#### **6.4. Min-/Max-Alarm (individual or common)**

This chapter describes how to adjust the device's alarm boundaries for min-/max-alarm-monitoring. This instruction demands that you selected “**AL.F1**” or “**AL.F2**” as your desired output function like it is explained in chapter 6.1.

*Please note that the alarm-outputs are inverted! This means, that the output will be active when there is no alarm!*

- When pressing **button 1**, the device will be displaying “**AL.Hi**”. (maximum alarm-value)
- Use **button 2** or **button 3** to set the desired value, the device should turn on its maximum-alarm.
- Press **button 1** to validate your selection. The display shows “**AL.Hi**” again.
- When pressing **button 1** again, the device will be displaying “**AL.Lo**”. (minimum alarm-value)
- Use **button 2** or **button 3** to set the desired value, the device should turn on its minimum-alarm
- Press **button 1** to validate your selection. The display shows “**AL.Lo**” again.
- When pressing **button 1** again, the device will be displaying “**A.dEL**”. (delay of the alarm-function)
- Use **button 2** or **button 3** to set the desired delay of the alarm-function in [sec].

*Note: The device will turn on the alarm after the minimum or the maximum alarm value was active for the delay-time you have set.*

- Press **button 1** to validate the delay time. The display shows “**A.dEL**” again.
- When pressing **button 1** again, the display shows “**outP**” ('output') again.

Now you have finished the output configuration.

- Press now **button 4** to exit the output configuration menu.

## 7. Switching points and alarm-boundaries (only for GIR 2002)

**Remark:** The difference between this menu and the output configuration menu is that only in the output configuration menu it is possible to select the output function and to adjust the delay and the preferred state of switching functions.

A change of the input configuration can possibly influence the switching points and alarm boundaries. (e.g. changing of scaling for standard signals or changing of resolution or unit for temperature)

Therefore you may check your output settings after the input configuration has been changed.

### General description and notes to the operating of the menu

By means of **button 1** you can go to the next parameter. Additionally a given changing in the parameter setting can be confirmed by this button and the new value will be saved. Afterwards it will be changed to the parameter view again

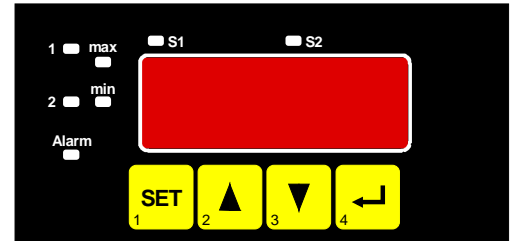
By means of **button 2** or **button 3** you can go from the parameter view to the parameter setting and adjust its value there.

**Hint:** The buttons 2 and 3 are featured with a 'roll-function'. When pressing the button once the value will be raised (button 2) by one or lowered (button 3) by one. When holding the button pressed for longer than 1 sec. the value starts counting up or down, the counting speed will be raised after a short period of time. The device also features a 'overflow-function', when reaching the upper limit of the range, the device switches to the lower limit, vice versa.

By means of **button 4** a given changing will be cancelled in the parameter setting. The changing will be discarded and the former parameter value will be preserved.

In the parameter view button 4 closes the menu.

**Please note:** If you don't press any button for more than 10 sec. in the parameter setting, the adjustment will be cancelled, the changing discarded and it will be changed to the parameter view. If you don't press any button for more than 60 sec. in the menu, the menu will be automatically closed.



### 7.1. Menu calling

- When pressing button 1 for >2 seconds the menu to select the switching points and alarm-boundaries will be called.
- Depending on the configuration you have made in the output configuration menu you will get different display values. Please follow the specific chapter for further information.

Description	Selected as output	Go on in chapter	Note
No output, device is used as displaying device	no	--	Calling of the menu not possible
2-point-controller	2P	7.2	
3-point-controller * <sup>1</sup>	3P * <sup>1</sup>	7.2	
2-point-controller with min-/max-alarm * <sup>1</sup>	2P.AL * <sup>1</sup>	7.3	
min-/max-alarm, common	AL.F1	7.4	
min-/max-alarm, individual * <sup>1</sup>	AL.F2 * <sup>1</sup>	7.4	

\*<sup>1</sup> = not available at devices with option AAF020/1 and AAG010/1

## **7.2. 2-point-controller, 3-point-controller**

This chapter describes device how to adjust the switching values of the device used as a 2-point-controller or 3-point-controller. This instruction demands that you selected "2P" or "3P" as your desired output function like it is explained in chapter 6.1.

- Press **button 1** (if not already done).  
The device will be displaying "1.on" (turn-on-point of switching function 1).
- Use **button 2** or **button 3** to set the desired value, the device's switching function 1 should be turning on.
- Press **button 1** to validate your selection. The display shows "1.on" again.
- Press **button 1** again, the device will be displaying "1.off". (turn-off-point of switching function 1)
- Use **button 2** or **button 3** to set the desired value, the device's switching function 1 should be turning off.
- Press **button 1** to validate your selection. The display shows "1.off" again.

*Example:* You want to control the temperature of a heating coil, with a hysteresis of +2°C, to 120°C. Therefore you will have to select the turn-on-point "1.on" to 120°C and the turn-off-point to "122°C". When your heating coil temperature falls below 120°C it will be turned on. When the temperature rises above 122°C the heating coil will be turned off.

*Note:* Depending on the inertia of your heating coil an overshooting of the temperature may be possible.

If you selected '2-point-controller' you finished adjusting the switching points of the device. When pressing **button 1** again, the display shows "1.on" again. Press now **button 4** to exit the output configuration menu.

If you selected '3-point-controller' the adjustment of switching functions 2 has to be done after the adjustment of switching function 1:

- Press **button 1** (if not already done). The device will be displaying "2.on" (turn-on-point of switching function 2).
- Use **button 2** or **button 3** to set the desired value, the device's switching function 2 should be turning on.
- Press **button 1** to validate your selection. The display shows "2.on" again.
- Press **button 1** again, the device will be displaying "2.off". (turn-off-point of switching function 2)
- Use **button 2** or **button 3** to set the desired value, the device's switching function 2 should be turning off.
- Press **button 1** to validate your selection. The display shows "2.off" again.
- When pressing **button 1** again, the display shows "1.on" again.

Now you have finished the adjustment of the switching points of the device.

- Press now **button 4** to exit the switching point adjustment menu.

## **7.3. 2-point-controller with alarm function**

This chapter describes how to adjust the switching values and alarm boundaries for the device used as a 2-point-controller with alarm function. This instruction demands that you selected "2P.AL" as your desired output function like it is explained in chapter 6.1.

- Press **button 1** (if not already done).  
The device will be displaying "1.on" (turn-on-point of switching function 1).
- Use **button 2** or **button 3** to set the desired value, the device's switching function 1 should be turning on.
- Press **button 1** to validate your selection. The display shows "1.on" again.
- Press **button 1** again, the device will be displaying "1.off". (turn-off-point of switching function 1)
- Use **button 2** or **button 3** to set the desired value, the device's switching function 1 should be turning off.
- Press **button 1** to validate your selection. The display shows "1.off" again.

*Example:* You want to control the temperature of a cooling chamber between -20°C and -22°C. Therefore you will have to select -20°C for the turn-on-point 1 "1.on" and -22°C for the turn-off-point 1 "1.off". When the temperature rises above -20°C the device turns its output 1 on, when falling below -22°C the device will turn its output 1 off.

*Note:* Depending on the inertia of your cooling circuit an overshooting of the temperature may be possible.

- When pressing **button 1**, the device will be displaying "**AL.Hi**". (maximum alarm-value)
- Use **button 2** or **button 3** to set the desired value, the device should turn on its maximum-alarm.
- Press **button 1** to validate your selection. The display shows "**AL.Hi**" again.
- When pressing **button 1** again, the device will be displaying "**AL.Lo**". (minimum alarm-value)
- Use **button 2** or **button 3** to set the desired value, the device should turn on its minimum-alarm
- Press **button 1** to validate your selection. The display shows "**AL.Lo**" again.
- When pressing **button 1** again, the device will be displaying "**A.dEL**". (delay of the alarm-function)
- Use **button 2** or **button 3** to set the desired delay of the alarm-function in [sec].

*Note:* The device will turn on the alarm after the minimum or the maximum alarm value was active for the delay-time you have set.

- Press **button 1** to validate the delay time. The display shows "**A.dEL**" again.

**Example:** You want to have an alarm monitoring for the cooling chamber mentioned above. The alarms should start when the temperature will be rising above  $-15^{\circ}\text{C}$  or falling below  $-30^{\circ}\text{C}$ . Therefore you have to select  $-15^{\circ}\text{C}$  for the maximum alarm-value "AL.Hi" and  $-30^{\circ}\text{C}$  for the minimum alarm-value "AL.Lo".  
=> The alarm will be starting after the temperature rises above  $-15^{\circ}\text{C}$  and stays above  $-15^{\circ}\text{C}$  for the entered delay time or after it had been falling below  $-30^{\circ}\text{C}$  and stays below  $-30^{\circ}\text{C}$  for the entered delay time.

Please note that the alarm-outputs are inverted! This means, that the output will be active if there is no alarm!

- When pressing **button 1** again, the display shows "**1.on**" again.

Now you have finished the adjustment of the switching points and alarm boundaries of the device.

- Press now **button 4** to exit the switching point adjustment menu.

#### **7.4. Minimum/maximum-alarm (individual or common)**

This chapter describes how to adjust the device's alarm boundaries for min-/max-alarm-monitoring. This instruction demands that you selected "**AL.F1**" or "**AL.F2**" as your desired output function like it is explained in chapter 6.1.

- When pressing **button 1**, the device will be displaying "**AL.Hi**". (maximum alarm-value)
- Use **button 2** or **button 3** to set the desired value, the device should turn on its maximum-alarm.
- Press **button 1** to validate your selection. The display shows "**AL.Hi**" again.
- When pressing **button 1** again, the device will be displaying "**AL.Lo**". (minimum alarm-value)
- Use **button 2** or **button 3** to set the desired value, the device should turn on its minimum-alarm
- Press **button 1** to validate your selection. The display shows "**AL.Lo**" again.
- When pressing **button 1** again, the device will be displaying "**A.dEL**". (delay of the alarm-function)
- Use **button 2** or **button 3** to set the desired delay of the alarm-function in [sec].

*Note:* The device will turn on the alarm after the minimum or the maximum alarm value was active for the delay-time you have set.

- Press **button 1** to validate the delay time. The display shows "**A.dEL**" again.

**Example:** You want to have a temperature alarm-monitoring of a greenhouse. The alarm should start when the temperature rises above  $50^{\circ}\text{C}$  or falls below  $15^{\circ}\text{C}$ . Therefore your settings will be  $50^{\circ}\text{C}$  for the maximum alarm-value "AL.Hi" and  $15^{\circ}\text{C}$  for the minimum alarm-value "AL.Lo".  
=> The alarm will be starting after the temperature rises above  $50^{\circ}\text{C}$  and stays above  $50^{\circ}\text{C}$  for the entered delay time or after it had been falling below  $15^{\circ}\text{C}$  and stays below  $15^{\circ}\text{C}$  for the entered delay time.

Please note that the alarm-outputs are inverted! This means, that the output will be active when there is no alarm!

- When pressing **button 1** again, the display shows "**AL.Hi**" again.

Now you have finished the adjustment of the alarm boundaries of the device.

- Press now **button 4** to exit the alarm boundaries configuration menu.

## 8. Offset- and slope-adjustment

The offset and slope-adjustment function can be used for compensating the tolerance of the used sensor, and for vernier adjustment of the used transducer or transmitter.

**When changing the measuring mode “InP” the values for the offset and slope-adjustment will be reset. Furthermore a change of the device scaling for standard signals (di.Lo, di.Hi) or of the resolution and unit for temperature can possibly influence the values of the offset and slope-adjustment. Therefore the offset- and slope-adjustment should be done after the input configuration has been finished.**

**Additionally you may check your offset and slope-adjustment after changing the input configuration.**

### General description and notes to the operating of the menu

By means of **button 1** you can go to the next parameter. Additionally a given changing in the parameter setting can be confirmed by this button and the new value will be saved. Afterwards it will be changed to the parameter view again

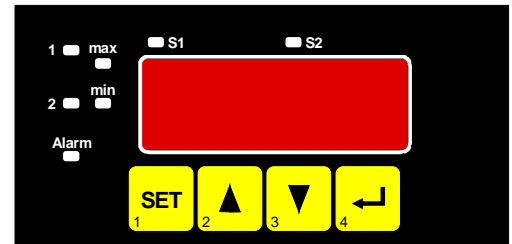
By means of **button 2** or **button 3** you can go from the parameter view to the parameter setting and adjust its value there.

*Hint:* The buttons 2 and 3 are featured with a ‘roll-function’. When pressing the button once the value will be raised (button 2) by one or lowered (button 3) by one. When holding the button pressed for longer than 1 sec. the value starts counting up or down, the counting speed will be raised after a short period of time. The device also features a ‘overflow-function’, when reaching the upper limit of the range, the device switches to the lower limit, vice versa.

By means of **button 4** a given changing will be cancelled in the parameter setting. The changing will be discarded and the former parameter value will be preserved.

In the parameter view button 4 closes the menu.

**Please note:** If you don't press any button for more than 10 sec. in the parameter setting, the adjustment will be cancelled, the changing discarded and it will be changed to the parameter view. If you don't press any button for more than 60 sec. in the menu, the menu will be automatically closed.



### 8.1. Menu calling and adjustment

The size of the offset- and slop-menu depends on the selected input signal.

Therefore it could happen that a menu item is not available or that the whole menu can not be called at all.

- Turn on the device and wait after it finished its built-in segment test.
- At the same time press the **pushbutton on the rear side** (button 5) and **button 3** for >2 seconds. The device displays “OFFS” (offset).
- Use **button 2** or **button 3** for setting the desired zero point offset-value.  
*The input of the offset will be in digit or °C/°F.  
The value that had been set will be subtracted from the measured value. (see below for further information)*
- Press **button 1** to validate your selection. The display shows “OFFS” again.
- When pressing **button 1** again, the device will be displaying “SCAL”. (scale = slope)
- Use **button 2** or **button 3** to select the desired slope-adjustment.

*The slope adjustment will be entered in %. The displayed value is calculated depending on the input signal according to the following formula.*

**Temperature:**  $Displayed\ value = (measured\ value - zero\ point\ offset) * (1 + slope\ adjustment\ [\% / 100])$

**Standard signal:**  $Displayed\ value = (measured\ value - zero\ point\ offset - di.Lo) * (1 + slope\ adjustment\ [\% / 100]) + di.Lo$

*Example:* The setting is 2.00 => the slope has risen 2.00% => slope = 102%.

*When measuring a value of 1000 (without slope-adjustment) the device would display 1020 (with slope adjustment of 102%)*

- Press **button 1** to validate the selection of the slope-adjustment. The display shows “SCAL” again.
- When pressing **button 1** again, the display shows “OFFS” again.

Now you have finished the offset- and slope-adjustment.

- Press now **button 4** to exit the offset- and slope-adjustment menu.

Examples for offset- and slope-adjustment:

Example 1: Connecting a Pt1000-sensor (with an offset error depending on the cable-length of the sensor)

The device displays the following values (without offset- or slope-adjustment): 2°C at 0°C and 102°C at 100°C

Therefore you calculated: zero point: 2  
 slope:  $102 - 2 = 100$  (deviation = 0)  
 You have to set: offset = 2 (= zero point-deviation)  
 scale = 0.00

Example 2: Connecting of a 4-20mA-pressure-transducer

The device displays the following values (without offset- or slope-adjustment): 0.08 at 0.00 bar and 20.02 at 20.00 bar

Therefore you calculated: zero point: 0.08  
 slope:  $20.02 - 0.08 = 19.94$   
 deviation: 0.06 (= target-slope – actual-slope = 20.00 - 19.94)  
 You have to set: offset = 0.08 (= zero point-deviation)  
 scale = 0.30 (= deviation / actual-slope = 0.06 / 19.94 = 0.0030 = 0.30%)

Example 3: Connecting of a flow-rate-transducer

The device displays the following values (without offset- or slope-adjustment): 0.00 at 0.00 l/min and 16.17 at 16.00 l/min

Therefore you calculated: zero point: 0.00  
 slope:  $16.17 - 0.00 = 16.17$   
 deviation: - 0.17 (=target-slope – actual slope = 16.00 - 16.17)  
 You have to set: offset = 0.00  
 scale = - 1.05 (= deviation / actual-slope = - 0.17 / 16.17 = - 0.0105 = - 1.05%)

## **9. Min-/max-value memory:**

The device features a minimum/maximum-value memory. In this memory the highest and lowest performance data is saved.

Calling of the minimum-value	press button 3 shortly	the device will display “Lo” briefly, after that the min-value is displayed for about 2 sec.
Calling of the maximum-value	press button 2 shortly	the device will display “Hi” briefly, after that the max-value is displayed for about 2 sec.
Erasing of the min/max values	press button 2 and 3 for 2 sec.	the device will display “CLr” briefly, after that the min/max-values are set to the current displayed value.

## **10. Serial interface**

The device features one **EASYbus**-Interface. You can use the device as a full function **EASYbus**-device.

The serial interface allows the device to communicate with a host computer. Data polling and data transfer is done in master/slave mode, so the device will only send data on demand. Every device has a unique ID-number that makes exact identification of each device possible. With the help of a software (like EbxKonfig – freeware version available via internet) you are able to reassign an address to the device.

### Additional accessories needed for the interface mode:

- Level converter **EASYbus** ↔ PC: e.g. EBW1, EBW64, EB2000MC
- Software for communication with the device
  - EBS9M: 9-channel-software for displaying a measured value.
  - EASYCONTROL: universal multi-channel software for real-time-recording and displaying measure-values of a device in ACCESS®-database-format.
  - EASYBUS-DLL: EASYBUS-developer-package for developing own software. This package features a universal WINDOWS®-Library with documentation and program-examples. The DLL can be used in any usual programming language.

## **11. Alarm display** (only GIR 2002)

If an output function with min-/max-alarm (out = AL.F1) is selected, LEDs will display the min-/max-alarm in case of its appearance.

Min-alarm: LEDs "alarm" and "min" glow

Max-alarm: LEDs "alarm" and "max" glow

If a system-alarm or system-error occurs, it will be handled like a min- and max-alarm. In this case the LEDs "min", "max" and "alarm" will glow. Additionally the error code will be displayed.

## **12. Error codes**

When detecting an operating state which is not permissible, the device will display an error code.

The following error codes are defined:

### **Err.1: Exceeding of the measuring range**

Indicates that the valid measuring range of the device has been exceeded.

Possible causes:

- Input signal too high.
- Sensor broken (Pt100 and Pt1000).
- Sensor shorted (0(4)-20mA).
- Counter overflow.

Remedies:

- The error-message will be reset if the input signal is within the limits.
- check sensor, transducer or transmitter.
- check device configuration (e.g. input signal)
- reset the counter.

### **Err.2: Values below the measuring range**

Indicates that the values are below the valid measuring range of the device.

Possible causes:

- Input signal is too low or negative.
- Current below 4mA.
- Sensor shorted (Pt100 and Pt1000).
- Sensor broken (4-20mA).
- Counter underflow.

Remedies:

- The error-message will be reset if the input signal is within the limits.
- Check sensor, transducer or transmitter.
- check device configuration (e.g. input signal)
- Reset the counter.

### **Err.3: Display range has been exceeded**

Indicates that the valid display range (9999 digit) of the device has been exceeded.

Possible causes:

- Incorrect scale.
- Counter overflow.

Remedies:

- The error-message will be reset if the display value is below 9999.
- Reset the counter.
- When happening frequently, check the scale-setting, maybe it was set too high and should be reduced.

**Err.4: Values below display range**

Indicates that display value is below the valid display range of the device (-1999 digit).

Possible causes:       - Incorrect scale.  
                              - Counter underflow.

Remedies:                - The error-message will be reset if the display value is above -1999.  
                              - Reset the counter  
                              - When happening frequently, check the scale-setting, maybe it was set too low and should be increased.

**Err.7: System-error**

The device features an integrated self-diagnostic-function which checks essential parts of the device permanently. When detecting a failure, error-message Err.7 will be displayed.

Possible causes:       - Valid operating temperature has exceeded or has fallen below the valid temperature range.  
                              - Device defective.

Remedies:               - Stay within valid temperature range.  
                              - Exchange the defective device.

**Err.9: Sensor defective**

The device features an integrated diagnostic-function for the connected sensor or transmitter. When detecting a failure, error-message Err.9 will be displayed.

Possible causes:       - Sensor broken or shorted (Pt100 or Pt1000).  
                              - Sensor broken (thermo-elements).

Remedies:               - Check sensor or exchange defective sensor.

**Er.11: Value could not be calculated**

Indicates a measuring value, needed for calculation of the display value, is faulty or out of range.

Possible causes:       - Incorrect scale.

Remedies:               - Check settings and input signal.

**Er.12: Invalid value, incorrect configuration**

Indicates that the configuration of the device has been done incorrectly and that it has not been possible to calculate a valid display.

Possible causes:       - Incorrect configuration of the device.

Remedies:               - Check configuration of device.



## 13. Specification

**Absolute maximum ratings:** see chapter 3.3. (Connection data)

**Measuring inputs:** Standard inputs for

Input type	Signal I	Range	Resolution	Note
Standard-voltage-signal	0 – 10 V	0 ... 10 V		Ri ≥ 200 kOhm
	0 – 2 V	0 ... 2 V		Ri ≥ 10 kOhm
	0 – 1 V	0 ... 1 V		Ri ≥ 10 kOhm
	0 – 50 mV	0 ... 50 mV		Ri ≥ 10 kOhm
Standard-current-signal	4 – 20 mA	4 ... 20 mA		Ri = ~ 125 Ohm
	0 – 20 mA	0 ... 20 mA		Ri = ~ 125 Ohm
RTD probes	Pt100	-50.0 ... +200.0 °C (-58.0 ... +392.0 °F)	0.1 °C / °F	3-wire-connection max. perm. line resistance: 20 Ohm
		-200 ... +850 °C (-328 ... +1562 °F)	1 °C / °F	
	Pt1000	-200 ... +850 °C (-328 ... +1562 °F)	1 °C / °F	2-wire-connection
Thermocouple probes	NiCr-Ni (type K)	-70.0 ... +250.0 °C (-94.0 ... +482.0 °F)	0.1 °C / °F	
		-270 ... +1372 °C (-454 ... +2502 °F)	1 °C / °F	
	Pt10Rh-Pt (type S)	-50 ... +1750 °C (-58 ... +3182 °F)	1 °C / °F	
	NiCrSi-NiSi (type N)	-100.0 ... +300.0 °C (-148.0 ... +572.0 °F)	0.1 °C / °F	
		-270 ... +1350 °C (-454 ... +2462 °F)	1 °C / °F	
	Fe-CuNi (type J)	-70.0 ... +300.0 °C (-94.0 ... +572.0 °F)	0.1 °C / °F	
		-170 ... +950 °C (-274 ... +1742 °F)	1 °C / °F	
	Cu-CuNi (type T)	-70.0 ... +200.0 °C (-94.0 ... +392.0 °F)	0.1 °C / °F	
		-270 ... +400 °C (-454 ... +752 °F)	1 °C / °F	
	Frequency	TTL-Signal	0 Hz ... 10 kHz	0.1 mHz
Switching contact NPN		0 Hz ... 3 kHz	0.1 mHz	An internal pull-up-resistor (~7 kOhm to +3.3V) is connected automatically.
Switching contact PNP		0 Hz ... 1 kHz	0.1 mHz	An internal pull-down-resistor (~7 kOhm to GND) is connected automatically.
Flow rate	TTL-Signal, Switching contact NPN, PNP	see frequency	see frequency	
Rotation	TTL-Signal, Switching contact NPN, PNP	0 ... 9999 U/min	0.001 U/min	Pre-scaling-factor (1-1000), Pulse-frequency: max. 600000 p./min. *
Up/Downwards - Counter	TTL-Signal, Switching contact NPN, PNP	0 ... 9999 with pre-scaling factor: 9 999 000		Pre-scaling-factor (1-1000) Pulse-frequency: max. 10000 p./sec. *
	Counter reset input	--		Reset: R < 1 kOhm Enable: R > 100 kOhm

\* = with switching contact accordingly to frequency input lower values may occur

<b>Display range:</b>	(voltage-, current and frequency-measurement) -1999 ... 9999 digits, initial value, terminal value and decimal point position arbitrary. Recommended range: < 2000 Digit
<b>Accuracy:</b> (at nominal temperature)	
Standard-signals:	< 0.2% FS $\pm$ 1Digit (0 – 50mV: < 0.3% FS $\pm$ 1Digit)
RTD:	< 0.5% FS $\pm$ 1Digit
Thermocouples:	< 0.3% FS $\pm$ 1Digit (type S: < 0.5% FS $\pm$ 1Digit)
Frequency:	< 0.2% FS $\pm$ 1Digit
<b>Point of compensation:</b>	$\pm$ 1°C $\pm$ 1Digit (at nominal temperature)
<b>Temperature drift:</b>	< 0.01% FS / K (Pt100 – 0.1°C: < 0.015% FS / K)
<b>Measuring freq.:</b>	approx. 100 measures / sec. (standard-signal) or approx. 4 measures / sec. (temperature-measurement) or approx. 100 measures / sec. (frequency, rpm at $f \geq 100$ Hz) or 1/f +15 msec (at $f < 100$ Hz)
<b>Display:</b>	approx. 13 mm height, 4-digit red LED-display
<b>Operating:</b>	4 push-buttons or by interface
<b>Interface:</b>	<b>EASYbus</b> -interface, electrically isolated
<b>Transmitter supply:</b>	24 V <sub>dc</sub> $\pm$ 5%, 20mA, electrically isolated <i>or the corresponding designation on the label on the housing</i>
<b>Outputs:</b>	depending on design model
<b>Switching outputs:</b> <sup>*2</sup>	2 volt-free Relay-outputs (standard) <i>or the corresponding designation on the label on the housing</i>
<b>Output 1:</b> <sup>*3</sup>	Relays: make contact, breaking capacity: 5A (ohmic load), 250 V <sub>AC</sub>
<b>Output 2:</b>	Relays: change-over contact, breaking capacity: 10A (ohmic load), 250 V <sub>AC</sub>
<b>Response Time:</b>	$\leq$ 25 msec. for standard signals $\leq$ 0.5 sec. for temperature, frequency ( $f > 4$ Hz)
<b>Output-functions:</b>	2-point, 3-point, 2-point with alarm, min-/max-alarm common or individual
<b>Switching points:</b>	arbitrary
<b>Analog output:</b> <sup>*4</sup> <sup>*5</sup>	0-20 mA and 4-20 mA (AAG020/..) or 0-10V (AAG010/..) <i>or the corresponding designation on the label on the housing</i>
<b>Scaling:</b>	arbitrary
<b>Accuracy:</b>	0.3 % FS
<b>Zero point offset:</b>	30mV at 0..10V, 60uA at 0..20mA
<b>Min. permissible load:</b>	1000 Ohm (at AAG010/..)
<b>Max. perm. burden:</b>	300 Ohm (at AAG020/..)
<b>Power supply:</b>	230 V <sub>AC</sub> , 50/60 Hz (standard) <i>or the corresponding designation on the label on the housing</i>
<b>Power consumption:</b>	approx. 5 VA (GIA2000) or approx. 6 VA (GIR2002)
<b>Nominal temp.:</b>	25 °C
<b>Operating ambient:</b>	-20 to +50 °C
<b>Relative humidity:</b>	0 to 80 %RH (non condensing)
<b>Storage temp.:</b>	-30 to +70 °C
<b>Housing:</b>	
<b>Dimensions:</b>	48 x 96 mm (front-panel dimensions).
<b>Installation depth:</b>	approx. 115 mm (incl. screw-in/plug-in clamps)
<b>Panel Mounting:</b>	with brackets
<b>Panel cut-out:</b>	43.0 <sup>+0.5</sup> x 90.5 <sup>+0.5</sup> mm (H x W)
<b>Connection:</b>	via screw-in/plug-in clamps Conductor cross-selection from 0.14 to 1.5 mm <sup>2</sup>
<b>Protection class:</b>	front IP54, with optional mounting seals IP65
<b>EMC:</b>	EN61326 +A1 +A2 (appendix A, class B), additional errors: < 1% FS When connecting long leads adequate measures against voltage surges have to be taken.

<sup>\*2</sup> = not available at GIA 2000

<sup>\*3</sup> = not available at GIR 2002 with option AAG020/1 or AAG010/1

<sup>\*4</sup> = only available with option AAG020/1 or AAG010/1

<sup>\*5</sup> = only available with option AAG020/3 or AAG010/3

