

INDUSTRIAL TEMPERATURE PROBES (ATEX 100) WITH M12 PLUG CONNECTOR



FOR ALL POTENTIALLY EXPLOSIVE ATMOSPHERES OF THE EQUIPMENT-GROUP II WITH THE PROTECTION (i) OR (e)

GTF 111-EX

-200°C ... +100°C (without neck tube)
-200°C ... +600°C (with neck tube)

General:

The GTF 111-Ex temperature probe is designed for use in explosion-prone areas. The probe is very small, which makes it suitable for use in places that are difficult to access. The probe is equipped with an M12 connection.

The probe inserts of the GTF 111-Ex are potted and cannot be replaced. They are available in the following sensor element group: Resistance thermometer: Pt 100 or Pt 1000. Only jacket resistance thermometers are used as sensor elements. The materials used for the probe parts that come into contact with the medium consist of stainless steel (e.g. 1.4404, 1.4435 or 1.4571). This guarantees high resistance to a wide variety of chemical compounds.

Options:

Sensors:

Pt100 / Pt1000, mineral insulated element, 4-wire:

Measuring ranges: -200°C ... +100°C (600°C - with neck tube), DIN cl. B

Probe length:

up to 100 mm (without upcharge)
upcharge per further starting 100 mm

Neck tube length:

without (without upcharge)
upcharge per starting 100 mm

Probe diameter:

3 mm, 4 mm, 5 mm, 6 mm or 8 mm (without upcharge)

Connection:

M12 plug connector

Ambient temperature:

-20 ... +60 °C (protection type „e“ and protection type „i“ zone 0, 20) or -20 ... +80 °C (+60 °C) (protection type „i“ zone 1, 2, 21, 22)

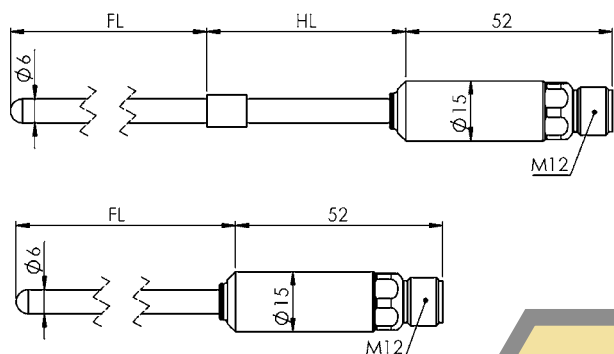
Type of protection:

„i“: intrinsic safety (without upcharge)
„e“: increased safety

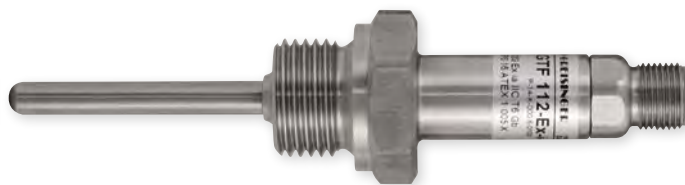
Potentially explosive atmospheres:

suitable for zone 0, zone 1, zone 2, zone 20, 21, zone 22

To determine exact order name ask for our type list.
Download via homepage possible.



Note: Not all execution options are possible in all zones!



FOR ALL POTENTIALLY EXPLOSIVE ATMOSPHERES OF THE EQUIPMENT-GROUP II WITH THE PROTECTION (i) OR (e)

GTF 112-EX

-200°C ... +100°C (without neck tube)
-200°C ... +600°C (with neck tube)

General:

The GTF 112-Ex temperature probe is designed for use in explosion-prone areas. The probe is very small, which makes it suitable for use in places that are difficult to access. The probe is equipped with an M12 connection.

The probe inserts of the GTF 112-Ex are potted and cannot be replaced. They are available in the following sensor element group: Resistance thermometer: Pt 100 or Pt 1000. Only jacket resistance thermometers are used as sensor elements. The materials used for the probe parts that come into contact with the medium consist of stainless steel (e.g. 1.4404, 1.4435 or 1.4571). This guarantees high resistance to a wide variety of chemical compounds.

Options:

Sensors:

Pt100 / Pt1000, mineral insulated element, 4-wire:

Measuring ranges: -200°C ... +100°C (600°C - with neck tube), DIN cl. B

Probe length:

up to 100 mm (without upcharge)
upcharge per further starting 100 mm

Neck tube length:

without (without upcharge)
upcharge per starting 100 mm

Probe diameter:

3 mm, 4 mm, 5 mm, 6 mm or 8 mm (without upcharge)

Thread:

G1/2", G3/8" (Standard) (without upcharge)
G1/8", G1/4", G3/4", M8x1, M10x1

Connection:

M12 plug connector

Ambient temperature:

-20 ... +60 °C (protection type „e“ and protection type „i“ zone 0, 20) or -20 ... +80 °C (+60 °C) (protection type „i“ zone 1, 2, 21, 22)

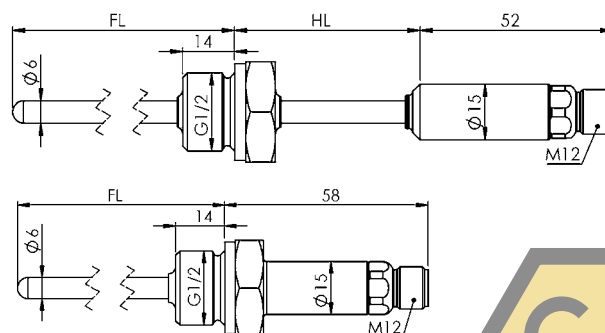
Type of protection:

„i“: intrinsic safety (without upcharge)
„e“: increased safety

Potentially explosive atmospheres:

suitable for zone 0, zone 0/1, zone 1, zone 2, zone 20, zone 20/21, 21, zone 22

To determine exact order name ask for our type list.
Download via homepage possible.



Note: Not all execution options are possible in all zones!



Note: Handheld instrument probes can be found in chapter handheld instruments and the appropriate devices