

EASYBUS-DISPLAY AND MONITORING DEVICE FOR 20 CHANNELS



EB 3000

Art. no. 600269

EASYBus-display and monitoring device for 20 channels

General:

- Up to 20 sensor-modules can be connected
- 2 further functions for calculation
- 5 relay outputs (4 x controlling, 1 x alarm)
- Controller functions can be assigned to any channel
- Alarm monitoring for all connected EASYBus-moduls
- Up to 1000 m cable-length possible

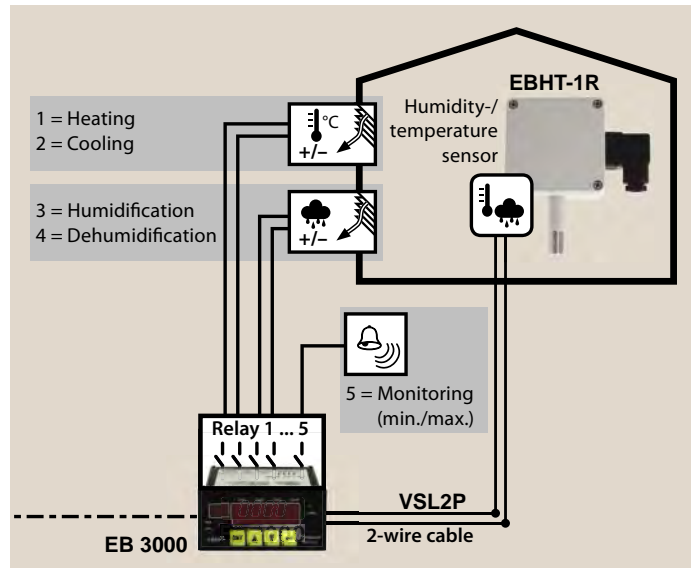
Specifications:

Display range:	-1999 ... +9999 digit
Resolution, Accuracy:	depending on sensor module used
Sensors:	all EASYBus sensor modules
Sensor supply:	via EB 3000
Max. bus load:	30 EASYBus standard loads
Measuring channels:	20
Permitted cable length:	500 m (depending on type of cable and wiring)
Switching outputs:	4 relay outputs (NO), shared input. Outputs can be assigned to any channel
Alarm output:	1 relay output (change-over contacts)
Switching function:	230V AC, 5 A, ohm resistive load
Configuration:	directly on the device or via additional configuration software (supported converter is needed).
Min./Max. value memory:	from all connected sensor modules the max. and min. value are callable via front-side keypad.
Display:	main display: LED, 4-digit, 13 mm channel display: LED, 2-digit, 7 mm 11 more LEDs for e.g.: switching status and alarm
Interface:	EASYBus-interface
Connection:	2-wire connection in ring-, tree- or star type. No polarity.
Connection terminals:	screw-type/plug-in terminals
Ambient temperature:	-25 ... +50 °C (permissible ambient temperature)
Voltage supply:	230 V AC 50 / 60 Hz
Power consumption:	approx. 9 VA
Housing:	Transparent membrane keyboard IP65. Sealing for housing for installation according to IP65 will have to be ordered separately (option).
Dimensions:	96 x 48 x 100 mm (H x W x D)
Panel cutout:	90.5 x 43 mm (W x H)
Scope of supply:	Device, CD, manual

Option:

- IP**
Mounting seal to increase the protection class to IP65

MOISTURE / TEMPERATURE CONTROLLING



EB 3000 FTR

Art. no. 605923

Cost effective Set for Moisture / Temperature Controlling

General:

Cost effective monitoring and controlling of temperature and humidity. The humidity- / temperature sensor EBHT-1R will be connected with the EB 3000 via a single 2-wire twisted pair cable (e.g. bell wire). The maximum distance between sensor and controlling device is 500 m.

The components are fully configured. The only remaining work is to connect the modules via a 2-pole twisted wire and input the switching points.

Application:

Refrigeration warehouse, green house, storage room, terrarium, etc.

Specifications:

Scope of supply:	EB 3000: monitoring and controlling device EBHT-1R: humidity / temperature modul (p.r.t. page 38) VSL2P: 10 m twisted pair cable (p.r.t. page 44)
-------------------------	---

Accessories and spare parts:

EBW 1

Art. no. 601136

Interface converter, for connection of max. 9 EASYBus data loggers to the RS232 interface of your PC. (power supply: 230 V AC / 50 Hz)

EBS 20M

Art. no. 601158

Software for recording and archiving of max. 20 sensor module further information see page 46

Note:

For configuration of the EB 3000 and recording / reading of connected EASYBus modules, a serial converter EBW 1 and software EBS 20M are needed.