

Product information

Flow - filtration

**Fine Filters ZE**



- Filter 5..300 µm
- Simple to clean
- Transparent or opaque cover

**Characteristics**

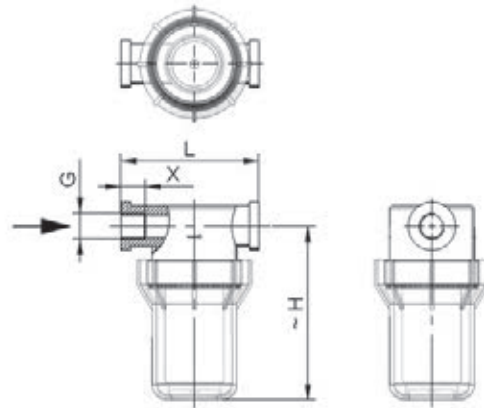
The fine filters are fitted with various filter elements. These are used for the scrubbing of liquids and gases.

**Technical data**

Nominal width	DN 4..20	
Process connection	female thread G 1/8..G 3/4 (note: for plastic parts it is not possible to guarantee trueness of calibration)	
Pore size	5..300 µm	
Pressure resistance	10 bar at 24 °C 7 bar at 52 °C	
Media temperature	0..+52 °C	
Ambient temperature	0..+52 °C	
Materials medium-contact	Housing	PP
	Cover	PP, Copolyesters (PES) or Polyamide
	Filter	UHMV-PE sintered plastic or stainless steel
	Seal	NBR or FKM
Medium	water, oil, gas	
Weight	see table "Dimensions and weights"	
Installation location	the filter cartridges below should be used	

**Dimensions and weights**

G	Type	H	L	D	X	Weight kg
G 1/8	ZEK-004	50	77	48.5	19	0.050
	ZEL-004	84				0.075
G 1/4	ZEK-008	50	77	48.5	19	0.050
	ZEL-008	84				0.070
G 3/8	ZEK-010	54	91	75.0	20	0.065
	ZEL-010	88				0.085
	ZEG-010	114				0.175
G 1/2	ZEK-015	54	91	75.0	20	0.060
	ZEL-015	88				0.080
	ZEG-015	114				0.170
G 3/4	ZEG-020	119	91	75.0	20	0.190



**Ordering code**

1. 2. 3. 4. 5. 6. 7.  
 ZE  -  **G** **P**

<b>1. Types</b>					
K	short filter Ø18				
L	long filter Ø18				
G	large filter Ø28				
<b>2. nominal width</b>					
004	DN 4 - G 1/8			●	●
008	DN 8 - G 1/4			●	●
010	DN 10 - G 3/8			●	●
015	DN 15 - G 1/2			●	●
020	DN 20 - G 3/4			●	
<b>3. Process connection</b>					
G	female thread				
<b>4. Housing</b>					
P	PP				
<b>5. Cover</b>					
P	PP white			●	●
S	clear PES			●	●
N	Polyamide			●	●
<b>6. Filter</b>					
005	5 µm	sintered plastic			
035	35 µm				
080	80 µm				
050	50 µm	stainless steel			
100	100 µm				
300	300 µm				
<b>7. Seal</b>					
N	NBR				
V	FKM				