

**Product information**

**Flow - piston valve design**

**Flow switch  
Indumat VI-...GR**



- For media with ferritic components
- Highly reproducible
- Precise, stepless adjustment of the switching value
- Insensitive to dirt

**Characteristics**

Mechanical flow switch, for fluid or gaseous media, with no-contact triggering of an adjustable proximity switch. Robust construction with the materials gunmetal / POM.

**Technical data**

<b>Switch</b>	Inductive proximity switch.	
<b>Nominal width</b>	DN 8..80	
<b>Process connection</b>	Female thread G <sup>1</sup> / <sub>4</sub> .G3	
<b>Adjustment range</b>	1..600 l/m / H <sub>2</sub> O	For details see table "Ranges"
<b>Q<sub>max.</sub></b>	up to 720 l/min	
<b>Tolerance</b>	±5 % of full scale value	
<b>From the full scale value pressure resistance</b>	PN 16 bar	
<b>Medium temperature</b>	-20..+60 °C	
<b>Ambient temperature</b>	-20..+70 °C	
<b>Media</b>	Water, oils (air and gas on request)	
<b>Voltage range</b>	10..30 V DC	
<b>Current requirement</b>	< 10 mA	
<b>Max. load current</b>	100 mA	
<b>Voltage drop</b>	< 3 V	
<b>Cable</b>	2 m	
<b>Ingress protection</b>	IP 67	
<b>Materials medium-contact</b>	Rg5/Rg6 nickelled, POM, 1.4305, CW614N 1.4310	
<b>Non-medium-contact materials</b>	ABS, NBR	
<b>Weight</b>	see table "Dimensions and weights"	
<b>Installation location</b>	Switching head facing downward must be avoided. The installation position can affect the adjustment range!	

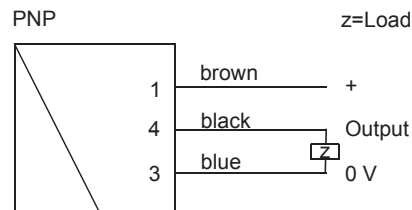
**Ranges**

For switching ranges, the details in the table correspond to horizontal inwards flow and decreasing flow rate; for display ranges they correspond to horizontal inwards flow and increasing flow rate.

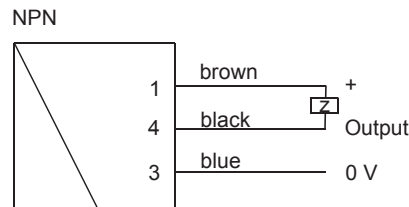
Type	Nominal width	Adjustment range l/min H <sub>2</sub> O	Q <sub>max. rec.</sub> l/min H <sub>2</sub> O
VI-008GR010.	DN 8	1 - 10	20
VI-010GR010.	DN 10	1 - 10	25
VI-015GR020.	DN 15	4 - 20	30
VI-020GR040.	DN 20	10 - 40	40
VI-025GR060.	DN 25	20 - 60	60
VI-032GR100.	DN 32	30 - 100	100
VI-040GR150.	DN 40	50 - 150	150
VI-050GR200.	DN 50	50 - 200	250
VI-065GR330.	DN 65	180 - 330	400
VI-080GR600.	DN 80	300 - 600	720

**Wiring**

Wiring 0.319



**Optional**

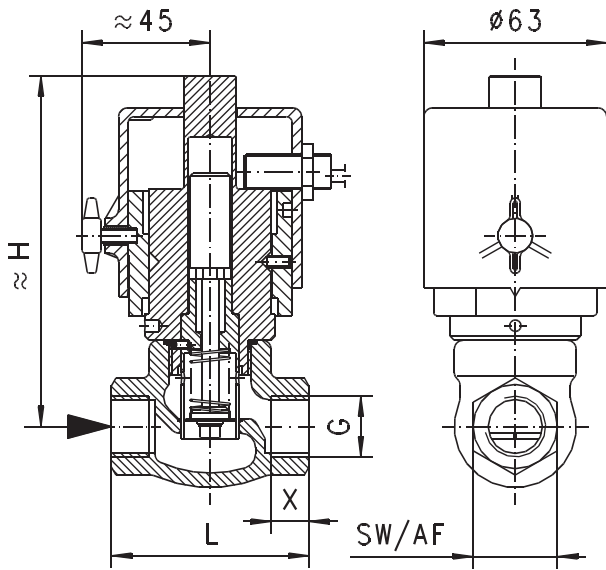


Before the electrical installation, it must be ensured that the supply voltage corresponds to the data sheet.  
The use of shielded cabling is recommended.

**Product information**

**Flow - piston valve design**

**Dimensions and weights**



Types	H mm	L mm	SW mm	X mm	Weight kg
VI-008GR010.	121	68	29	12	1.0
VI-010GR010.				13	
VI-015GR010.				13	
VI-020GR010.	122	73	32	11	1.1
VI-025GR010.		87	41	12	1.3
VI-032GR010.	133	98	52	13	2.1
VI-040GR010.	134	113	59	14	2.8
VI-050GR010.	142	137	72	17	4.0
VI-065GR010.	172	160	85	26	5.5
VI-080GR010.		148	100	23	7.0

**Handling and programming**

**Adjustment**

To adjust the switching point, the fixing screw for the switching head must be loosened. The switching head can then be rotated. Turning to the right increases the switching point, and vice-versa. Then retighten the fixing screw.



**Ordering code**

VI-  1.  2.  3.  4.  5.

○=Option

<b>1. Nominal width</b>	
008	DN 8 - G <sup>1</sup> / <sub>4</sub>
010	DN 10 - G <sup>3</sup> / <sub>8</sub>
015	DN 15 - G <sup>1</sup> / <sub>2</sub>
020	DN 20 - G <sup>3</sup> / <sub>4</sub>
025	DN 25 - G1
032	DN 32 - G1 <sup>1</sup> / <sub>4</sub>
040	DN 40 - G1 <sup>1</sup> / <sub>2</sub>
050	DN 50 - G2
065	DN 65 - G2 <sup>1</sup> / <sub>2</sub>
080	DN 80 - G3
<b>2. Process connection</b>	
G	Female thread
<b>3. Housing material</b>	
R	Rg5 / Rg6
<b>4. Adjustment range for horizontal inwards flow</b>	
010	1 - 10
020	4 - 20
040	10 - 40
060	20 - 60
100	30 - 100
150	50 - 150
200	50 - 200
330	180 - 330
600	300 - 600
<b>5. Switching output</b>	
P	PNP
N	NPN

**Option**

- Housing in stainless steel design

**Ordering information**

- Specify low direction, material and adjustment range.
- For viscous media, state viscosity, temperature and medium (e.g. ISO VG 68) (enquire about metering range).
- For gases, specify pressure (relative or absolute), temperature and medium (e.g. air) (enquire about range).