

Product information

Displays

Tank Display TA1010



- Inputs for standard signals 0/4..20 mA or 0/2..10 V
- 2nd input for pressure transmitter at pressure loaded tanks
- Input automatic level correction
- 6 standard- and custom sized tanks selectable
- Max. 2 alarm outputs, relay SPDT
- Field case with snap lid, cable glands 2 x M16x1.5

Characteristics

The Tank Display TA1010 offers content measurement of tanks with no linear connection between level and content. Measurement will be realized by hydrostatic pressure or distance sensors. The device offers the possibility to connect a level sensor. Reaching a certain level, the displayed value will be corrected automatically to the value according to the position of the installed sensor.

Technical data

Power supply

Supply voltage : 230 V AC $\pm 10\%$; 115 V AC $\pm 10\%$,
 24 V AC $\pm 10\%$ or 24 V DC $\pm 15\%$

Power consumption : max. 3.5 VA

Operating temp. : -20..+55 °C

CE-conformity : EN 61326-1:2013; EN 60664-1:2007

Input

Current : 0/4..20 mA; $R_i = 10 \Omega$
 overload 2-times; 4-times for max. 5 s

Voltage : 0/2..10 V DC; $R_i = 100 \text{ k}\Omega$
 overload max. 100 V

Accuracy : $< 0.15\% \pm 2$ digit

Transmitter supply : U_0 approx. 24 V;
 R_i approx. 150 Ω ; max. 50 mA

Display

Indicating range : 999999 Digit, with leading zero suppression

Parameter display : LED 2 digit red, 7 mm
 (parameter - and output indicator)

Output

Relay : SPDT $< 250 \text{ V AC} < 250 \text{ VA} < 2 \text{ A}$,
 $< 300 \text{ V DC} < 50 \text{ W} < 2 \text{ A}$

Analog : 0/4..20 mA burden $\leq 500 \Omega$; 0/2..10 V
 burden $> 500 \Omega$, **without** isolation,
 automatic output changing

- Accuracy : 0.1 %; TK 0.01 %/K

Field case : material PA6-GFGFK 15/15

Dimensions : 100x100x60 mm

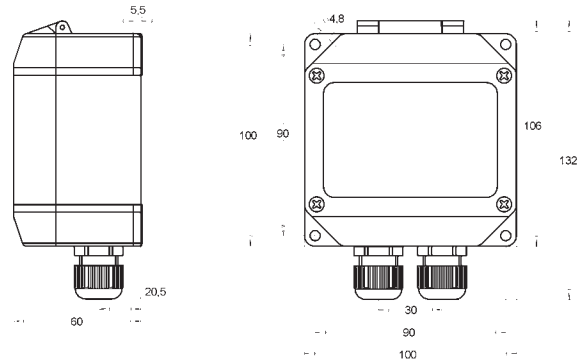
Weight : max. 450 g

Cable gland : 2 x M16x1.5

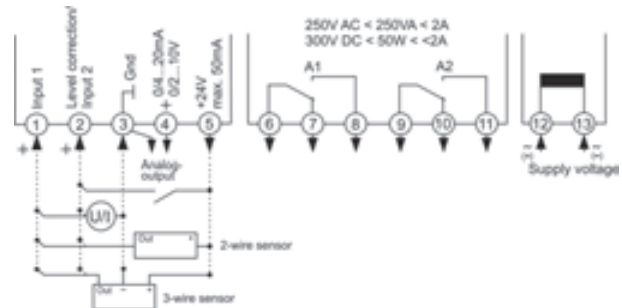
Connection : clamp terminals, 0.08..1.5 mm²,
 AWG28..AWG14

Protection class : front IP65, terminals IP20, acc. to BGV A3

Dimensions



Connection diagram



Ordering code

TA1010 - 1. - 2. - 3. - 4. - 5. - 6. - 7.

1. Input	
01	1 x 0/4..20 mA, 1 x input for level correction
11	2 x 0/4..20 mA
02	1 x 0/2..10 V, 1 x input for level correction
22	2 x 0/2..10 V
2. Alarm output	
00	not installed
2R	2 relay
3. Analog output	
00	not installed
AO	analog output 0/4..20 mA, 0/2..10 V DC
4. Supply voltage	
0	230 V AC $\pm 10\%$ 50-60Hz
1	115 V AC $\pm 10\%$ 50-60Hz
4	24 V AC $\pm 10\%$ 50-60Hz
5	24 V DC $\pm 15\%$
5. Options	
00	without option
09	1xM20x1.5 multi (2x \varnothing 6mm), 1xM20x1.5
6. Unit (appears in the unit field)	
7.	Additional text placed above the display (3x70 mm HxW)