

Product information

Level Conductive

Conductive Point Level Sensor SLR430-2

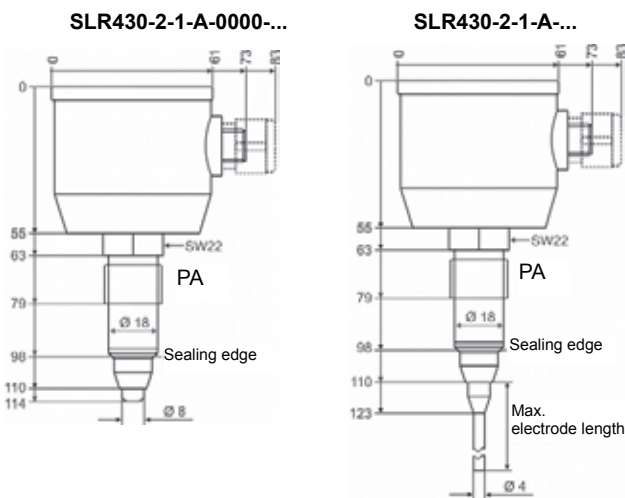


- 1 point level
- Process connection GHMadapt G½
- Round case SS-type Ø 59 mm
- No moving parts in the medium
- Without electronic
- Passive sensor

Technical data

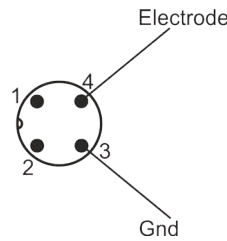
Number of electrodes : 1
 Electrode length : 4. 200 mm
 Process temperature : -20..+120 °C, 140 °C < 30 min
 CIP-/SIP-capable
 Ambient temperature : -20..+80 °C
 Process pressure : -1..+10 bar
 Process material : 1.4404, PEEK, PFA-coated,
 FDA conform
 food safe acc. to EHEDG
 EHEDG certificate no. : 28/2011
 Process connection : compatible to standard hygienic threads
 G½
 Stud torque : 5..10 Nm
 Case : round case SS-type Ø 59 mm
 Material : 1.4305
 Electrical connection : M12 plug or cable gland M16x1.5
 Polyamide (PA) or SS-type 1.4305
 Protection class : IP67 / IP69K

Dimensions

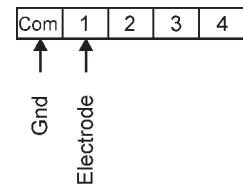


Connection diagram

M12 device plug, 4-pole



Internal terminal strip



Cable colors:
 1 = n.c. , 2 = n.c. , 3 = blue, 4 = black

Ordering code

SLR430 - 1. - 2. - 3. - 4. - 5. - 6. - 7. - 8.

1. Process connection (PA)	
1	M12x1.5
2. Number of electrodes	
1	1 electrode
3. Electrode type (rod or cable)	
A	rod
B	cable (on request)
4. Electrode length [mm]	
0000	stub rod
0200	200
0500	500
1000	1000
1500	1500
2000	2000
2500	2500
3000	3000
3500	3500
4000	4000
4500	4500
5000	5000
XXXX	customized length (on request)
5. Electrode surface	
0	uncoated (standard)
1	0200 PFA, black coated
	0500 PFA, black coated
	1000 PFA, black coated
	1500 PFA, black coated
	2000 PFA, black coated
	Custom length (on request)
6. Electrical connection	
0	M12 plug
1	cable gland PA M16x1.5
2	cable gland V2A (1.4305) M16x1.5
7. Options	
00	without option
8. Certificate DIN EN 10204, indicate only when required	
WZ2.2	factory certification 2.2