

Product information

Controller

**Set Point Adjuster
 SG1010**



- Output 0/4..20 mA, 0/2..10 V DC
- Set point adjustment with front buttons or external signals
- Indicating range and decimal point programmable
- Set point output isolated

Characteristics

The Set point adjuster SG1010 has been designed for generating adjustable set point value signals 0/4..20mA and 0/2..10V DC. Any display value can be assigned to the respective output signal. The operator can work with real values. The adjustment speed is programmable.

Technical data

Power supply
 Supply voltage : 230 V AC ±10 %; 115 V AC ±10 %;
 24 V AC ±10 % or 24 V DC ±15 %
 Power consumption : 5 VA
 Operating temperature : -20..+55 °C
 CE-conformity : EN 61326-1:2013; EN 60664-1:2007

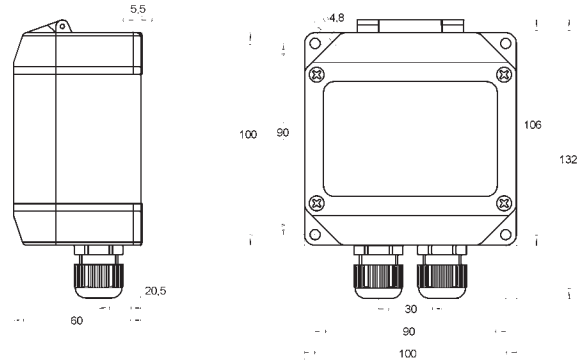
Input
 Control : 0/24 V DC Ri 6.3 kΩ < 4 V low,
 > 8.5 V high, hysteresis >2.5 V,
 max. 35 VDC
 Transmitter supply : 24 V DC (pnp), Ri approx. 150 Ω,
 max. 50 mA

Display
 : LED red, 14.2 mm
 Indicating range : ±9999(0) Digit with leading zero suppression
 Additional display : LED 2 digit red, 7 mm
 (Parameter - and status indicator)

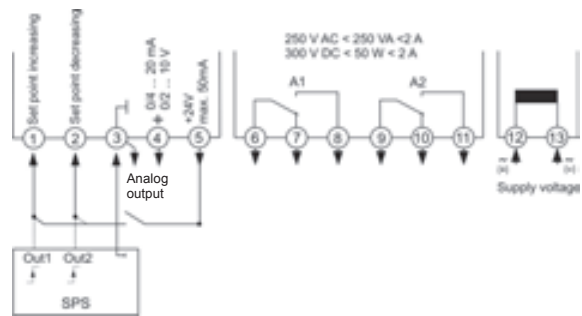
Output
 Relay SPDT : < 250 V AC < 250 VA < 2 A,
 < 300 V DC < 50 W < 2 A
 Analog output : 0/4..20 mA burden ≤500 Ω; 0/2..10 V
 burden >500 Ω, **not** isolated
 output changes burden dependent

- Accuracy : 0.1 %; TK 0.01 %/K
Field case : material PA6-GF 15/15
 Dimensions : 100x100x60 mm
 Weight : max. 350 g
 Electrical connection: clamp terminals, 2.5 mm² single wire,
 1.5 mm² flexi wire, AWG14
 Protection class : IP65, terminals IP20, BGV A3

Dimensions



Connection diagram



Ordering code

SG1010 - 1. - 2. - 3. - 4. - 5. - 6. - 7.

1. Set point adjustment	
0	Set point adjustment via front buttons, adjustment speed dynamically
1	as 0, but additional control inputs, adjustment speed dynamically or linear programmable
2. Alarm output	
00	not installed
2R	2 relay outputs
3. Analog output (standard)	
AO	analog output 0/4..20 mA, 0/2..10 V
4. Supply voltage	
0	230 V AC ±10 % 50-60Hz
1	115 V AC ±10 % 50-60Hz
4	24 V AC ±10 % 50-60Hz
5	24 V DC ±15 %
5. Options	
00	without option
09	1xM20x1.5 multi (2xØ6 mm), 1xM20x1.5
6. Unit appears on the lid	
7. Additional text above the display (3x70mm HxW)	