

Product Information

Pressure Transmitter S20



- Measuring ranges from -1..1600 bar
- Output signals 4..20 mA or 0..10 V DC
- Process temperatures up to 150°C

Merkmale

Pressure transmitter type S-20 is designed for general industrial applications and the ideal solution for customers with demanding measuring tasks. It is characterized by a very good accuracy, a robust design and an extremely high variance, thus it can be adapted to a wide variety of applications.

Technical data

Power supply

Supply voltage : 8/(12)..36 V DC
 Process temperature : -30..+100 °C
 : -40..+125 °C option 05
 : -40..+150 °C option 06
 Ambient temperature : -30..+100 °C
 : -40..+125 °C option 05 + 06

Storage temperature : -40..+70 °C

CE-conformity

Pressure equipment directive : 2014/68 EU
 EMC-directive : 2014/30 EU,
 Emissions : 20/30 EU; EN 61326-1:2013;
 EN 61326-2-3:2013 (group 1, class B)

Output

Current : 4..20 mA, 2-wire
 Max. Load R_A : 2-wire, $R_A \leq (U + -7,5V) \div 0,023 A$
 Voltage : 0..10 V DC 3-wire
 Max. Load R_A : 3-wire, >max. output signal / 1mA
 Accuracy : 0,5 % of span,
 optional 0,25 % available.

Material

Process connection
Relative measuring : ≤ 10 bar = 316L
 > 10 bar = 316L +13-8 PH
 > 1.000 bar = ASTM630 + 13-8 PH

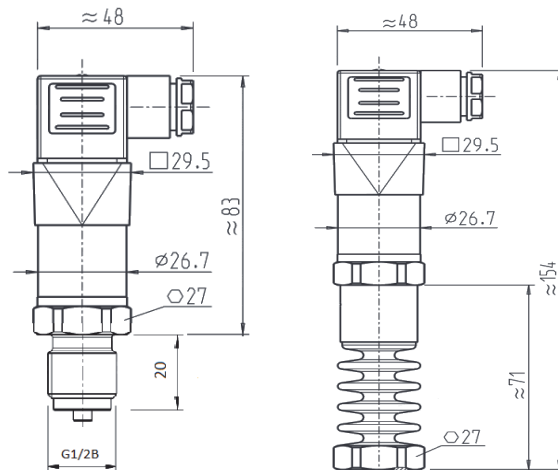
Absolute measuring : 316L

Housing : 316TI
 Transmission medium : Synthetic oil (for measuring ranges
 <10 bar relative and all
 absolute measuring ranges)

Process connection : G 1/2B, EN 837

Sealing : copper
 Electrical connection : 4-pole plug EN 175301-803/A
 Protection class : IP65

Dimensions



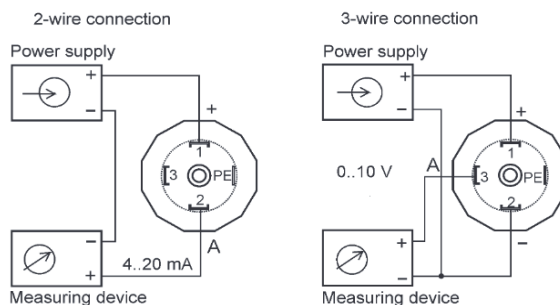
S20

S20 with cooling element (Option 06)

Weight

S20 : ca. 0,150 Kg
 S20 with cooling element : ca. 0,360 Kg

Connection diagram



Ordering code

1. 2. 3.
S20 - -

1. Output	
0	0..10 V, 3-wire (12..36 V DC)
2	4..20 mA, 2-wire (8..36 V DC)
2. Options	
00	without option
01	custom measuring range *
02	accuracy 0.25 % 0,25 %;
03	absolute measurement; M.-ranges ≤ 40 bar
05	process temperature -40..+125 °C
06	with. cooling element -20..+150°C, max. 400 bar
3. Measuring ranges [bar]	
-1/ 0,4/ 0,6/ 1/ 1,6/ 2,5/ 4/ 6/ 10/ 16/ 25/ 40/ 60/ 100/ 160/ 250/ 400/ 600/ 1.000/ 1.600	

*custom measuring range between 0..0,4 and 0..1.600 bar are available on request. Note that they are a less long terms stability and a higher temperature error on custom measuring ranges.