

Product Information

Pressure switch PAS



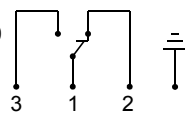
- Repeatability
- Adjustable switch point
- Change over contact
- Plug DIN 43650-A / ISO 4400

Characteristics

Mechanical pressure switch in which a piston is pre-tensioned by a spring. An adjustment knob permits the setting of the switch point. The setting can be fixed with hexagon socket screw.

Technical Data

Switch	Mechanical switch
Process connection	Male thread G ¹ / ₄ A flexible
	M10×1 flexible
	Female thread G ¹ / ₄ flexible
	Flange DIN ISO 163873
Switching range	10..320 bar see table "Ranges"
Hysteresis	see graph "Hysteresis"
Tolerance	±2 % at RT relative to the full scale value
Pressure resistance	PS 350 bar
Media temperature	-20..+80 °C (Viton 0..100°C)
Ambient temperature	-20..+80 °C
Media	self-lubricating fluid such as hydraulic oil, lubricating oil, light fuel oil and neutral fluids such as water and some gases.
Switching frequency	maximum 100 cycles/min.
Wiring	Plug DIN 43650-A / ISO 4400 Changeover No. 0.342
Switching voltage	Resistive load 4 A at 24 V DC, 6 A at 250V AC Inductive load 1 A at 24 V DC, 2 A at 250 V AC
switching current (maximum values)	
Protection class	1 – PE – connection
Ingress protection	IP 65
Electr. connection	Plug DIN 43650-A / ISO 4400

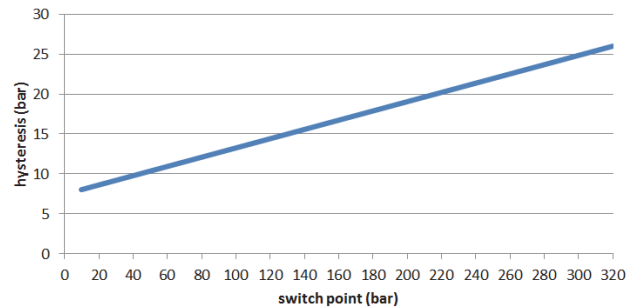


Materials	Housing: Zinc die casting, Adjustment knob: aluminium (powder coated)
Material Sealing	Static: NBR or EPDM or Viton Dynamic: PTFE
Weight	0,325 kg
Installation location	Any mounting position, hydraulic connection to bottom is not advisable.

Ranges

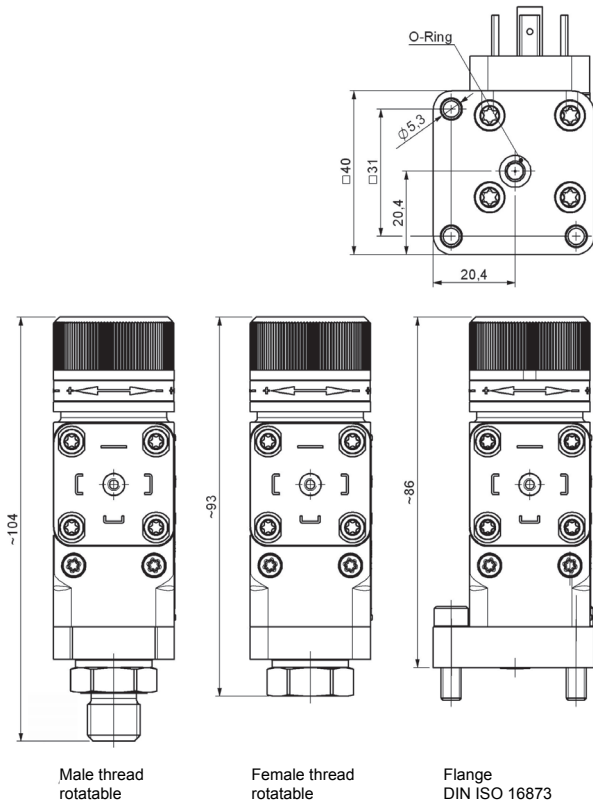
Switching range bar (rel.)	Type
10 - 30	PAS-030Z...
10 - 80	PAS-080Z...
10 - 120	PAS-120Z...
10 - 160	PAS-160Z...
20 - 200	PAS-200Z...
20 - 250	PAS-250Z...
30 - 320	PAS-320Z...

Hysteresis



Product Information

Dimensions



Ordering code

PAS - 1. 2. 3. 4. 5. 6.

1. Switching range	
030	10 - 30 bar
080	10 - 80 bar
120	10 - 120 bar
160	10 - 160 bar
200	20 - 200 bar
250	20 - 250 bar
320	30 - 320 bar
2. Connection material	
Z	Zinc die casting
3. Connection size	
008G	Female thread G ¹ / ₄
008A	Male thread G ¹ / ₄ A
031F	Flange DIN ISO 163873
011A	Male thread M10×1
012H	Male thread NPT ¹ / ₄
4. Rotatable (connection pressure site)	
0	Fixed
1	Rotatable
5. Electrical connection	
B	For plug DIN 43650-A / ISO 4400
6. Sealing	
N	Dynamic NBR
E	EPDM
V	Viton

Handling and operation

Notes

- If the medium is dirty, install a filter.
- It must be ensured that the values given for voltage, current, and power are not exceeded.
- Check resistance to aggressive media, no DI water.

Torques and thread lengths of the fluid connection:
 G¹/₄A, G¹/₄, R¹/₄, NPT¹/₄: 20-25 Nm, 11 mm
 M10×1: 15-20 Nm, 10 mm
 Flange: 6-8 Nm, 3 washer M5

Adjustment

- Turning the adjusting knob to the left for a larger value, turning to the right for a smaller value. After setting the knob can be fixed with a hexagon socket screw by using the supplied key.

Options

- Factory setting of the switch point on falling or rising pressure.