

Product information

Fill level / limit value / level

Level Switch MW3



- High switching current
- Highly reproducible
- Transformer
- Plug connection

Characteristics

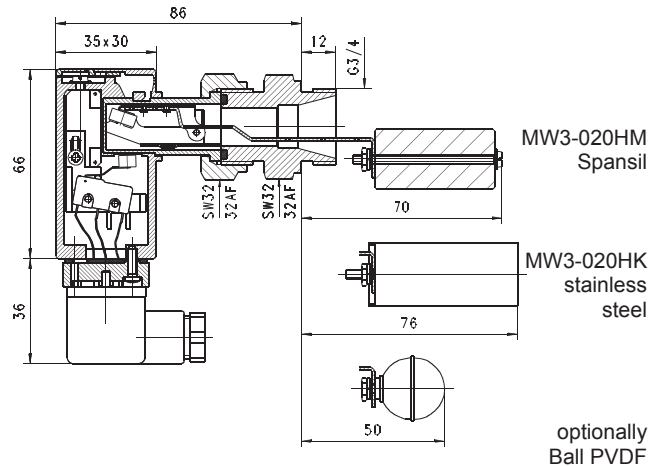
Mechanical level monitor for fluid media, with contact-free triggering of a micro switch.

Technical data

Switch	micro switch	
Process connection	male thread G 3/4 A	
Density of medium	Spansil float	3 0.7 g/cm ³
	Stainless steel float	3 0.9 g/cm ³
Pressure resistance	Spansil float	PN 25 bar
	Stainless steel float	PN 10 bar
Medium temperature	-20..+110 °C	
Ambient temperature	-20..+70 °C	
Media	water, oils (aggressive media available on request)	
Wiring	transformer No. 0.444	
Switching voltage	max. 250 V AC	
Switching current	max. 5 A	
Protection class	2 - safety insulation	
Ingress protection	IP 65	
Electrical connection	plug DIN 43650-A / ISO 4400	
Materials medium-contact	<i>Brass construction:</i> CW614N nickelled, 1.4301, 1.4571, Spansil (NBR), hard ferrite, NBR	<i>Stainless steel construction:</i> 1.4305, 1.4571, Hard ferrite, FKM

Non-medium-contact materials	ABS, PA, NBR
Weight	0.35 kg
Installation location	horizontal installation

Dimensions



Handling and operation

- When tightening the union nut, the connection piece must be countered using an open-ended spanner (SW 19).
- It must be ensured that the values given for voltage, current, and power are not exceeded.
- When switched on, a load must be connected in series.
- The electrical details apply to ohmic loads. Capacitive and inductive loads must be operated using a protective circuit.
- Not suitable for use in media with ferritic particles.

Ordering code

MW3 - 1. 020 2. H 3.

1. Connection size	020	threaded connection G 3/4 A
2. Process connection	H	screw-in thread
3. Connection material	M	brass
	K	stainless steel

Options

- Connection for round plug connector M12x1, 4-pole - 250 V AC, 4 A
- Float ball PV DF
- Float cylinder stainless steel
- Signal lamp red or red/green with plug DIN 43650-A
- Gold contact 125 V AC / 30 V DC, 100 mA