

**Product information**

**Level Conductive**

**Conductive Point Level Switch MLR430-3**



- 4 point levels with 3 switch outputs, freely configurable
- Process connection GHMadapt G1" hygienic
- Round case, stainless steel type Ø 59 mm
- Flexible mounting: compact version
- No moving parts in the medium
- Sensitivity programmable
- Parameters programmable with GHMware via USB interface
- Isolation between sensor system, case / supply, output
- Wide range LED indicator

**Technical data**

**Compact version**  
 Supply voltage : 18..30 V DC  
 Power consumption : < 3 VA  
 CE-conformity : EN 61326-1:2013

**Ambient conditions**  
 Ambient temperature : -20..+70 °C  
 Climatic class : EN 60068-2-38:2009  
 Vibration class : EN 60068-2-6:2008, GL Test 2

**Certifications**  
 EHEDG certificate no. : 28/2011  
 Input : 1..4  
 Response time : selectable form 0.05..10 s  
**Output** : NO / NC programmable  
 3 x Electronic : transistor PNP, max. 30 V DC, 100 mA  
 Electrical connection : M12 plug or cable gland M16x1.5  
 Polyamide (PA) or stainless steel type 1.4305

Isolation : sensor system, case / supply, output  
 LED indicator : red/green programmable  
**Case** : round case, stainless steel type Ø 59 mm

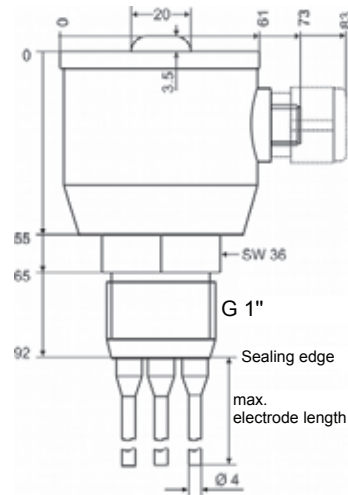
Material : 1.4305  
 LED-cap : Acrylic glass (PMMA)  
 Protection class : IP67 / IP69K  
**Electrode** : max. 4  
 Electrode length : 15..5000 mm  
 Process temperature : -20..+100 °C, 140 °C < 30 min  
 CIP-/SIP-capable

Process pressure : -1..+10 bar  
 Min. media conductance : > 2µS  
 Process material : 1.4404, PEEK, PFA-coated, FDA conform  
 food safe according to EHEDG conform regulation EC 1935/2004 & 10/2011

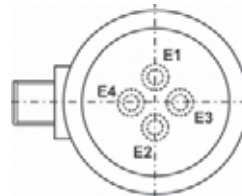
Process connection : G1" hygienic  
 Stud torque : 10..20 Nm

**Dimensions**

MLR430-3-4-A-...

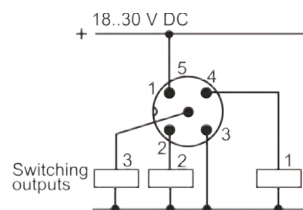


Position of electrodes

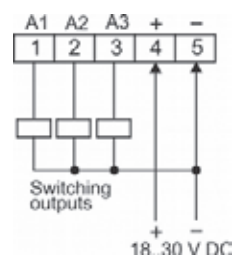


**Connection diagrams**

M12 device plug, 5-pole



Internal terminal



Cable colors:  
 1 = brown, 2 = white, 3 = blue, 4 = black, 5 = grey

**Product information**

**Level Conductive**

**Order code**

MLR430 -  1. -  2. -  3. -  4. -  5. -  6. -  7. -  8.

<b>1. Process connection</b>	
3	G1" hygienic
<b>2. Number of electrodes</b>	
2	2 electrodes
3	3 electrodes
4	4 electrodes
<b>3. Electrode type (rod or cable)</b>	
A	rod
B	rope (on request)
<b>4. Electrode length [mm]</b>	
0200	200
0500	500
1000	1000
1500	1500
2000	2000
2500	2500
3000	3000
3500	3500
4000	4000
4500	4500
5000	5000
XXXX	customized length (on request)
<b>5. Electrode surface</b>	
0	uncoated (standard)
1	0200 PFA, black coated
	0500 PFA, black coated
	1000 PFA, black coated
	1500 PFA, black coated
	2000 PFA, black coated
	customized length (on request)
<b>6. Electrical connection</b>	
0	M12 plug
1	cable gland, plastic (PA) M16x1.5
2	cable gland, stainless steel type (1.4305) M16x1.5
<b>7. Options</b>	
00	without option
<b>8. Certificate DIN EN 10204, indicate only when required</b>	
WZ2.2	factory certification 2.2

<b>Accessories</b>	
AMD100	Spacer for multi-rod sensors
ACI211	USB programming cable for MLx43x