

Product information

Displays

Speed Indicator DR1010



- Pulse inputs for switch contacts, PNP-, Namur-sensors and rotary encoder
- Programmable input prescaler
- Time base min⁻¹
- Integrated transmitter-supply
- Max. 2 alarm outputs, relay SPDT
- Field case with snap-lid, 2 x M16x1.5

Characteristics

The Speed Indicator DR1010 has been designed for field applications in process control and automation. Parameters for operation mode can be programmed. The DR1010 can be used wherever processes based per minute, just as speed should be measured and displayed.

Technical data

Power supply

Supply voltage : 230 V AC ±10 %; 115 V AC ±10 %;
 24 V AC ±10 % or 24 V DC ±15 %

Power consumption : max. 3.5 VA

Operating temp. : -20..+55 °C

CE- conformity : EN 61326-1:2013; EN 60664-1:2007

Input

PNP sensor : Ri = 6.3 kΩ

- level : < 4 V low; > 8.5 V high;

- hysteresis : > 2.5 V; max. 35 V DC

Namur sensor : Ri approx. 1 kΩ (< 4 mA)

- level : < 1 mA low; > 2.2 mA high;

- hysteresis : > 0.5 mA; max. 35 V DC

Frequency max. : input E1 = 1 Hz..30 Hz, (switch contact)
 input E2 = 1 Hz..15 kHz, (PNP- or Namur sensor)

Time base : min⁻¹

Accuracy : ≤ 0.003 % ±1 Digit

Min. pulse width : electronic 50 μs, contact 5 ms

Hold : 24 V DC or switch contact

Transmitter supply : 8 V (Namur), 24 V DC (PNP), Ri appr. 150Ω,
 max. 50 mA

Display : LED red, 14.2 mm

Indicating range : 0..99999 digit

Additional display : LED 2-digit red, 7 mm
 (parameter- and switch indicator)

Output

Relay : SPDT < 250 V AC < 250 VA < 2 A,
 < 300 V DC < 50 W < 2 A

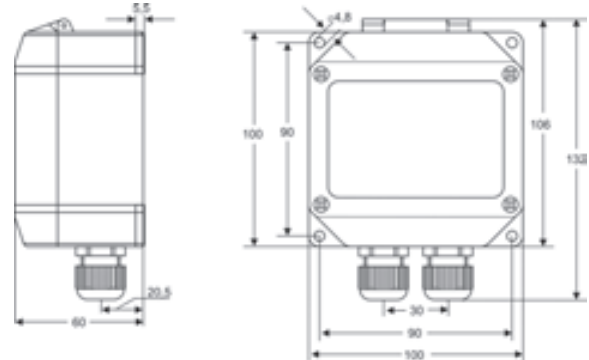
Field case : material PA6-GF 15/15

Dimensions : 100x100x60 mm

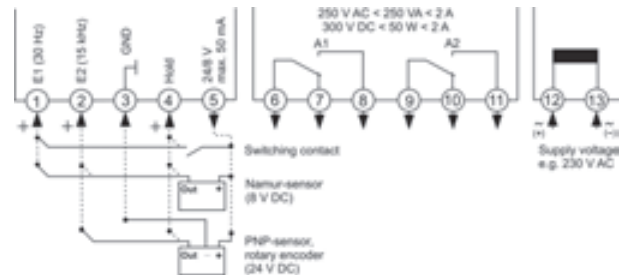
Weight : max. 450 g
 Cable glands : 2 x M16x1.5
 Connection : clamp terminals, 0.08..1.5 mm²,
 AWG28..AWG14

Protection class : front IP65, terminals IP20, acc. to BGV A3

Dimensions



Connection diagram



Ordering code

DR1010 - 1. - 2. - 3. - 4. - 5. - 6.

1. Input	
1	2 pulse inputs, hold input, integrated transmitter supply 24V max. 50 mA
2. Alarm output	
00	not installed
2R	2 relay outputs
3. Supply voltage	
0	230 V AC ±10 % 50-60Hz
1	115 V AC ±10 % 50-60Hz
4	24 V AC ±10 % 50-60Hz
5	24 V DC ±15 %
4. Options	
00	without option
09	1 x M20x1.5 multi (2 x Ø6 mm), 1 x M20x1.5
5. Unit (appears in the unit field)	
6. Additional text placed above the display (3x70 mm HxW)	