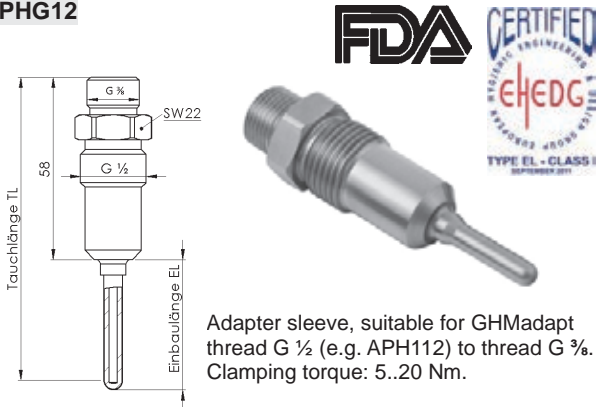


Product information

Temperature - Hygienic Design

Adapter / weld-in sleeves for GTL

APHG12



Adapter sleeve, suitable for GHMadapt thread G 1/2 (e.g. APH112) to thread G 3/8. Clamping torque: 5..20 Nm.

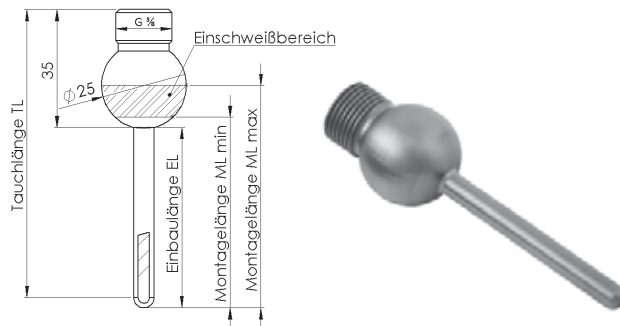
Product key

1.

APHG12 -

1. Immersion length TL		
0083	TL = 83 mm	Fitting length EL = 27 mm
0097	TL = 97 mm	Fitting length EL = 41 mm
0160	TL = 160 mm	Fitting length EL = 104 mm
xxxx	Any immersion length in mm: from 200 mm till max.: 500 mm (e.g. 320 = 320 mm)	

APHK25



Spherical weld-in sleeve to thread G 3/8, for installation at tube curvatures and tanks.

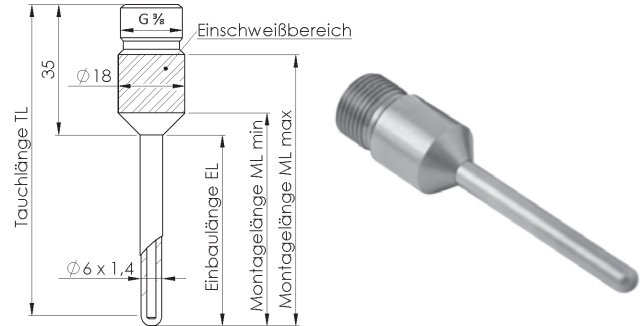
Product key

1.

APHK25 -

1. Immersion length TL		
0083	TL = 83 mm	Fitting length EL = 50 mm Installation length ML: 56..63 mm
0097	TL = 97 mm	Fitting length EL = 64 mm Installation length ML: 70..77 mm
0160	TL = 160 mm	Fitting length EL = 127 mm Install. length ML: 133..140 mm
xxxx	Any immersion length in mm: from 200 mm till max.: 500 mm (e.g. 320 = 320 mm)	

APHZ18



Cylindrical weld-in sleeve to thread G 3/8, for installation in existing compression fittings (GKEV-25/76 or GEMK-25/76) or to be welded into pipes and tanks

Product key

1.

APHZ18 -

1. Immersion length TL		
0083	TL = 83 mm	Fitting length EL = 50 mm Installation length ML: 56..71 mm
0097	TL = 97 mm	Fitting length EL = 64 mm Installation length ML: 70..85 mm
0160	TL = 160 mm	Fitting length EL = 127 mm Install. length ML: 133..148 mm
xxxx	Any immersion length in mm: from 200 mm till max.: 500 mm (e.g. 320 = 320 mm)	