

Product information

Temperature - Hygienic Design

Accessories

GTL - Configuration tool

Suitable for all GTL with integrated transducer GTML1 / 2

The GTL - Configuration tool contains:

- **Software GTL - Configurator**
 Setting of unit, resolution, measuring range, filter, output in case of error, etc.



- **GTL - Configuration adapter**
- **Connection cable with M12 plug**
- **Connection cable with loose ends**
- **Connection cable with crocodile clamps**
- **GKK 252 case**
 with burl foams size: 235 x 185 x 48 mm (W x H x D)
- **Manual**



System requirements

32 or 64 bit version of Windows XP SP3, Windows Vista, Windows 7, Windows 8 (not working with Windows RT, ARM or Intel Itanium based Windows systems)

Accessories

KM4P-GTL34

Connection cable with M12 plug for configuration of temperature sensors with double Pt100 for design type 1 x cable connection M12 plug with 2 x transducer

Compression fitting for GTL

GKEV-25/76

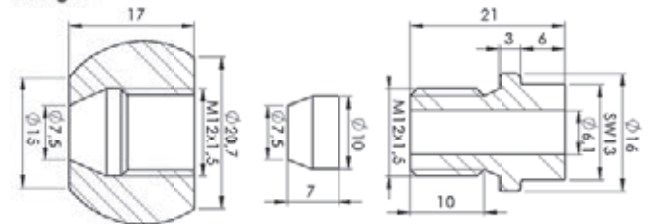
Spherical weld-in sleeve for inclined mounting, containing weld-in sleeve, PEEK clamp ring and clamp screw.



Specifications:

- Material : V4A (1.4404)
- Type of installation : PEEK clamping ring, thread M12x1.5
- Clamping torque : max. 10 Nm
- Working pressure : max. 10 bar
- Application : for mounting of temperature probes of series: GTL 349, GTL 369 / M, GTL 389 / M

Design:



Spare parts:

- Clamp screw KS-M12
- PEEK clamp ring PKR-6



GEMK-25/76

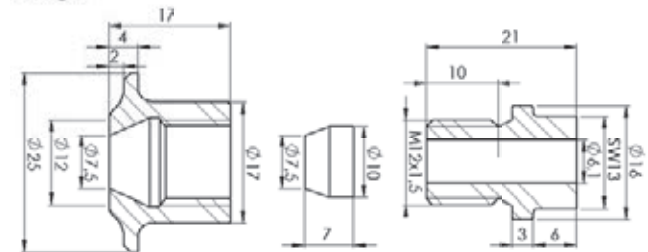
Collar welding sleeve for tanks thick / thin, containing weld-in sleeve, PEEK clamp ring and clamp screw.



Specifications:

- Material : V4A (1.4404)
- Type of installation : PEEK clamping ring, thread M12x1.5
- Clamping torque : max. 10 Nm
- Working pressure : max. 10 bar
- Application : for mounting of temperature probes of series: GTL 349, GTL 369 / M, GTL 389 / M

Design:



Spare parts:

- Clamp screw KS-M12
- PEEK clamp ring PKR-6

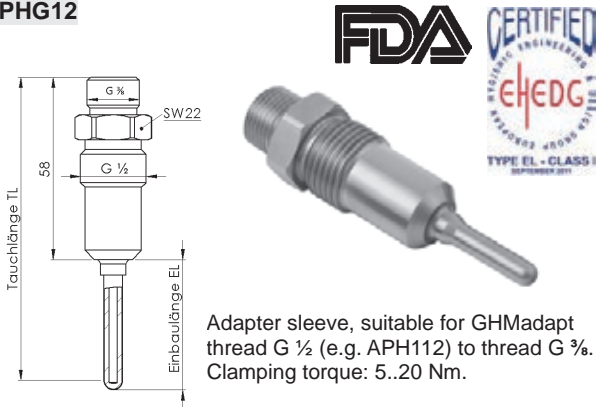


Product information

Temperature - Hygienic Design

Adapter / weld-in sleeves for GTL

APHG12



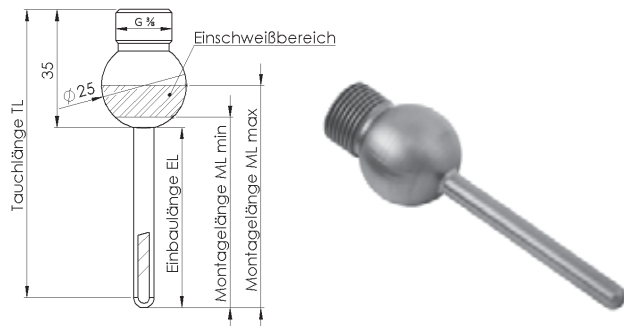
Product key

1.

APHG12 -

1. Immersion length TL		
0083	TL = 83 mm	Fitting length EL = 27 mm
0097	TL = 97 mm	Fitting length EL = 41 mm
0160	TL = 160 mm	Fitting length EL = 104 mm
xxxx	Any immersion length in mm: from 200 mm till max.: 500 mm (e.g. 320 = 320 mm)	

APHK25



Spherical weld-in sleeve to thread G 3/8, for installation at tube curvatures and tanks.

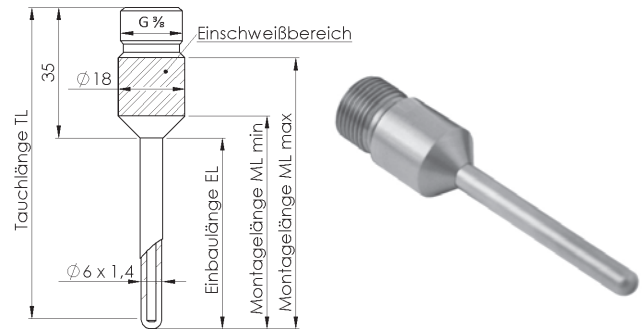
Product key

1.

APHK25 -

1. Immersion length TL		
0083	TL = 83 mm	Fitting length EL = 50 mm Installation length ML: 56..63 mm
0097	TL = 97 mm	Fitting length EL = 64 mm Installation length ML: 70..77 mm
0160	TL = 160 mm	Fitting length EL = 127 mm Install. length ML: 133..140 mm
xxxx	Any immersion length in mm: from 200 mm till max.: 500 mm (e.g. 320 = 320 mm)	

APHZ18



Cylindrical weld-in sleeve to thread G 3/8, for installation in existing compression fittings (GKEV-25/76 or GEMK-25/76) or to be welded into pipes and tanks

Product key

1.

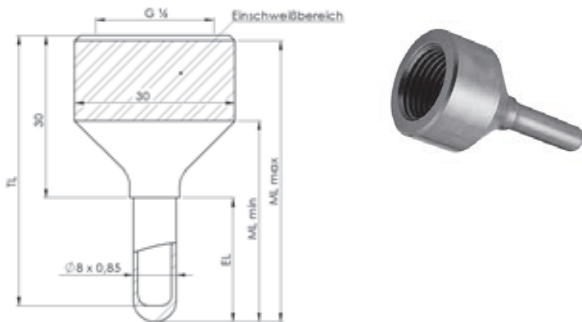
APHZ18 -

1. Immersion length TL		
0083	TL = 83 mm	Fitting length EL = 50 mm Installation length ML: 56..71 mm
0097	TL = 97 mm	Fitting length EL = 64 mm Installation length ML: 70..85 mm
0160	TL = 160 mm	Fitting length EL = 127 mm Install. length ML: 133..148 mm
xxxx	Any immersion length in mm: from 200 mm till max.: 500 mm (e.g. 320 = 320 mm)	

Product information

Temperature - Hygienic Design

APHZ30-G12S



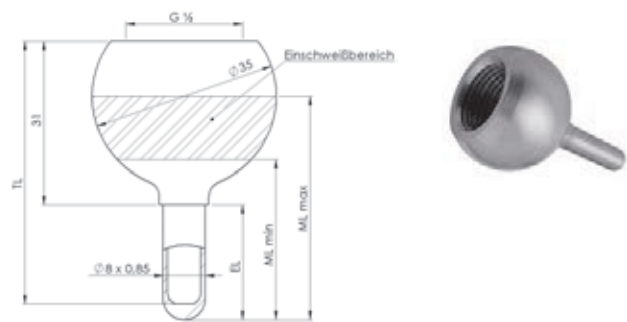
Cylindrical weld-in sleeve to thread G 1/2 standard, for installation in pipes and tanks.

Product key

APHZ30 - G12S - 1.

1. Immersion length TL		
0050	TL = 50 mm	Fitting length EL = 25 mm Installation length ML: 39..54 mm
0100	TL = 100 mm	Fitting length EL = 75 mm Install. length ML: 89..104 mm
0150	TL = 150 mm	Fitting length EL = 125 mm Install. length ML: 139..154 mm
0200	TL = 200 mm	Fitting length EL = 175 mm Install. length ML: 189..204 mm
0250	TL = 250 mm	Fitting length EL = 225 mm Install. length ML: 239..254 mm
xxxx	Any immersion length in mm: from 300 mm till max.: 1000 mm (e.g. 320 = 320 mm)	

APHK35-G12S



Spherical weld-in sleeve to thread G 1/2 standard, for installation in pipes and tanks.

Product key

APHK35 - G12S - 1.

1. Immersion length TL		
0050	TL = 50 mm	Fitting length EL = 25 mm Installation length ML: 33..45 mm
0100	TL = 100 mm	Fitting length EL = 75 mm Installation length ML: 83..95 mm
0150	TL = 150 mm	Fitting length EL = 125 mm Install. length ML: 133..145 mm
0200	TL = 200 mm	Fitting length EL = 175 mm Install. length ML: 183..195 mm
0250	TL = 250 mm	Fitting length EL = 225 mm Install. length ML: 233..245 mm
xxxx	Any immersion length in mm: from 300 mm till max.: 1000 mm (e.g. 320 = 320 mm)	

Heat transfer paste

WLP10S

- syringe containing 3 ml paste, silicone-containing, with pipette, color: silver-gray
- high heat conductivity of 10.0 W/mK
- not drying out, silicone parts not flaking
- storage time up to 12 months at normal ambient conditions

Product information

Temperature - Hygienic Design

Device configurator ECI-1



- Usable for on-site
 - parameter changes
 - firmware update
 - adjustment of in- and outputs
- Connection via USB

Characteristic

The device configurator ECI-1 is an interface allowing the microprocessor controlled connection of HONSBURG sensors to the USB port of a PC. Combined with the Windows software "HONSBURG Device Configurator" it allows

- changing all configuration settings des Sensors
- read-out of measuring values
- adjustment of in- and outputs
- firmware updates

Specifications

Supply voltage	12..30 V DC (depends on connected sensor) and via USB
Power consumption	< 1 W
Connection	
Sensor	Cable socket M12x1, 5-pole, length approx. 50 cm
Feed line	Device plug M12x1, 5-pole
USB	USB-socket type B
Working temperature	0..50 °C
Storage temperature	-20..+80 °C
Housing dimensions	98 mm (L) x 64 mm (B) x 38 mm (H)
Housing material	ABS
Protection class	IP 40

Handling and operation

Connection



The device configurator is intended for temporary connection to the application. It is connected between the existing sensor lead and the sensor. Power supply is via the supply to the sensor and the computer's USB port. When inactive (no communication), the configurator behaves completely neutrally; all signals from the sensor remain available to the application. During communication between computer and sensor, the signal wirings are separated in the configurator, so that in this state the sensor's output signals are not available.

To connect 4-pole leads without a middle hole to the installed 5-pole device connector, adapter K04-05 is included. 4-pole leads with a middle hole can be used without an adapter.

Product key

Device configurator (scope of supply: see figure below)	ECI-1
---	--------------

Scope of supply:

1. Device configurator ECI-1
2. USB-cable
3. Adapter K04-05
4. Plug KB05G
5. Cable K05PU-02SG
6. Case



(Software and power supply unit not included)

Accessories:

Software 'Device Configurator 1.00' Description of software see data sheet "EDC"	EDC 1.00
Power supply unit 24 V DC (with round plug, 5-pole)	EPWR24-1



Spare parts:

M12x1-adapter 4- / 5-pole	K04-05
PUR-cable, 5-pole, screened with circular connector M12x1	K05PU-02SG
Circular connector M12x1, 5-pole (without cable)	KB05G

Product information

Temperature - Hygienic Design

Hygienic connection cable shielded series KH for HTK12, HTK30 and HTK35



- Connection M12x1
- PVC cable flexcord gray shielded
- Straight or angled model
- 4- or 5-pole, cable end made up with end sleeves for wires
- Union nut made of V4A
- IP67 acc. to IEC 60529
- IP69K protected against water during high pressure and steam jet cleaning acc. to IEC 60529
- Resistant to heat and cold, application range -25..+70 °C
- Vibration protection
- Color coding acc. to industry standards

Characteristic

The connection cable is suitable for moderate mechanical stress. Good resistance to acids and alkalis. Therefore aimed mainly at food and drink industries. Restricted abrasion behavior, and limited oil and chemical resistance. The shielding increases the shear strength, and this also improves the protection from external radiation interference.

Specifications

Connector	connection M12x1
Grip body	plastic, PVC
Union nut	stainless steel 1.4404
Contact block/ cable	plastic PVC gray
Contacts	metal, CuZn, gold-plated
Seal	plastic, FPM, FKM
Current carrying capacity	4 A
Rated voltage	max. 250 V
Insulation resis- tance	≥ 10 ⁹ MΩ
Degree of contami- nation	3/2, acc. to DIN VDE 0110
Ambient tempera- ture	-25..+70 °C
Protection class	IP 67 / IP 69K (only when screwed together)
Mechanical work- ing life	min. 100 mating cycles

Cable colors:

1 = brown, 2 = white, 3 = blue, 4 = black, 5 = gray

Product key

KH - -

1. Cable material	PV	PVC
2. Cable length	002	2 meter
	005	5 meter
	010	10 meter
3. Shielding	1	shielding (not applied to union nut)
4. Number of poles	04	4-pole
	05	5-pole
5. Connector output	G	straight
	W	angled 90 °
6. Option	00	none

Note:

Hygienic connection cables of series ACH for all temperature probes and clamp-on sensors of series GTL can be found in product information GHMadapt / Accessories.